

**LEPP1G
LEPP151G
LEPPSW1G**

*See current catalogue for further detail

Cleaning Guide:

Spraying cleaning products directly on to electrical switches or power points (sockets) is not recommended.

It is important to ensure that switches are turned off before cleaning.

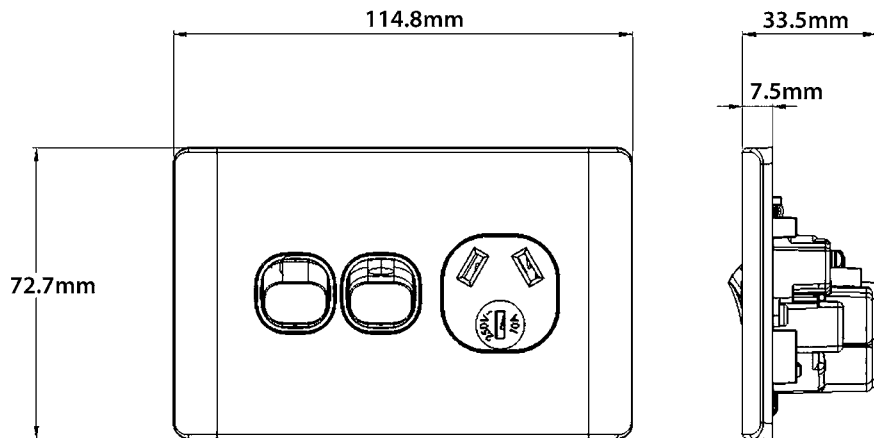
Do not use any cleaning sprays - only wipe down with damp cloth or rub with dry cloth. Do not use an abrasive cloth as it may scratch the plastic.

Do not use harsh chemical cleaners as these can break down the plastic and cause it to crack.

Do not wash the cover plates in water over 60°C.

Leopard Range of Single Power Points

- Switches approved to AS/NZS3133
- Socket outlets approved to AS/NZS3112
- Fits standard Australian wall boxes and mounting accessories that use 84mm mounting centres
- Uses brass tunnel terminals that have the screws backed out for easier installation of cabling. Power point terminals have 6mm bore to suit 4 x 2.5mm² cable. Switch terminals have 4.1mm suit 4 x 1.5mm²
- Combination head screws for the socket terminals
- Uses 'Cat Flap' screw covers for IP rating mounting screws
- Dolly indicator colour green
- Covers, plates and dollies are made from UV stabilised polycarbonate to avoid discolouring to yellow
- Standard colour is white. Black and Brushed Aluminium also stocked - please check availability
- Typical example of size seen below:



Catalogue Number	Description
LEPP1G	Power Point Switched 1 Gang, 10A 250V~
LEPP151G	Power Point Switched 1 Gang, 15A 250V~
LEPPSW1G	Power Point Switched 1 Gang, 10A 250V~ with Extra Switch 16AX/20A

When ordering **BLACK** product add "BK" at end of catalogue number, ie LEPP1GBK

When ordering **BRUSHED ALUMINIUM** (cover) add "CBA" at end of catalogue number, ie LEPP1GCBA

MEERKAT Switch Mechanisms are used for all switch plates.
Please refer to Meerkat Mech Matrix for range compatibility.

Certification Number:

GMA-500349-EA
and GMA-500347-EA

GSM Electrical (Australia) Pty Ltd

Level 2, 142-144 Fullarton Road, Rose Park SA 5067
P: 1300 301 838 F: 1300 301 778 E: service@g sme.com.au
www.g sme.com.au



LEPP2G
LEPP152G
LEPPSW2G

*See current catalogue for further detail

Cleaning Guide:

Spraying cleaning products directly on to electrical switches or power points (sockets) is not recommended.

It is important to ensure that switches are turned off before cleaning.

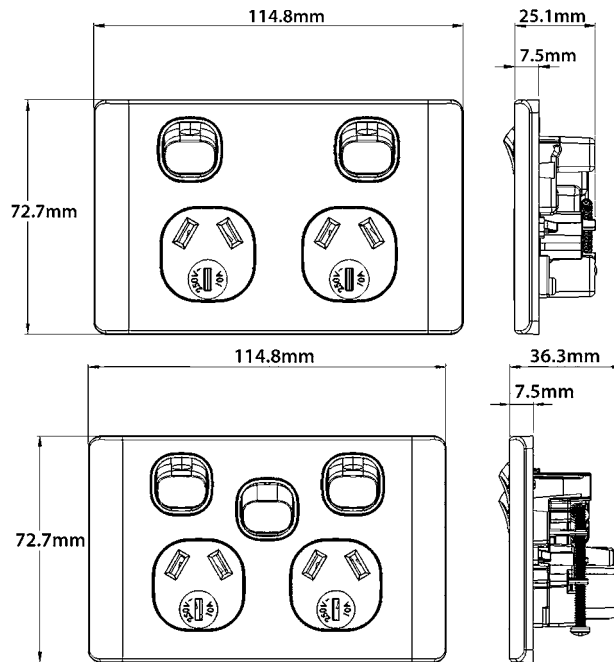
Do not use any cleaning sprays - only wipe down with damp cloth or rub with dry cloth. Do not use an abrasive cloth as it may scratch the plastic.

Do not use harsh chemical cleaners as these can break down the plastic and cause it to crack.

Do not wash the cover plates in water over 60°C.

Leopard Range of Double Power Points

- Socket outlets approved to AS/NZS3112
- Fits standard Australian wall boxes and mounting accessories that use 84mm mounting centres
- Uses brass tunnel terminals that have the screws backed out for easier installation of cabling. Power point terminals have 6mm bore to suit 4 x 2.5mm² cable. Switch terminals have 4.1mm suit 4 x 1.5mm²
- Combination head screws for the socket terminals
- Uses 'Cat Flap' screw covers for IP rating mounting screws
- Dolly indicator colour green
- Covers, plates and dollies are made from UV stabilised polycarbonate to avoid discolouring to yellow
- Standard colour is white. Black and Brushed Aluminium also stocked - please check availability
- Typical example of size seen below:



Catalogue Number	Description
LEPP2G	Power Point Switched 2 Gang, 10A 250V~
LEPP152G	Power Point Switched 2 Gang, 15A 250V~
LEPPSW2G	Power Point Switched 2 Gang, 10A 250V~ with Extra Switch, 16AX/20A

When ordering **BLACK** product add "BK" at end of catalogue number, ie LEPP1GBK

When ordering **BRUSHED ALUMINIUM** (cover) add "CBA" at end of catalogue number, ie LEPP1GCBA

MEERKAT Switch Mechanisms are used for all switch plates.
Please refer to **Meerkat Mech Matrix** for range compatibility.

Certification Number:
GMA-500347-EA / GMA-500348-EA

GSM Electrical (Australia) Pty Ltd
Level 2, 142-144 Fullarton Road, Rose Park SA 5067
P: 1300 301 838 F: 1300 301 778 E: service@gsm.com.au
www.gsm.com.au



Data Specification Sheet
October 2018



**LEPPV1G
LEPPV2G**

*See current catalogue for further detail

Cleaning Guide:

Spraying cleaning products directly on to electrical switches or power points (sockets) is not recommended.

It is important to ensure that switches are turned off before cleaning.

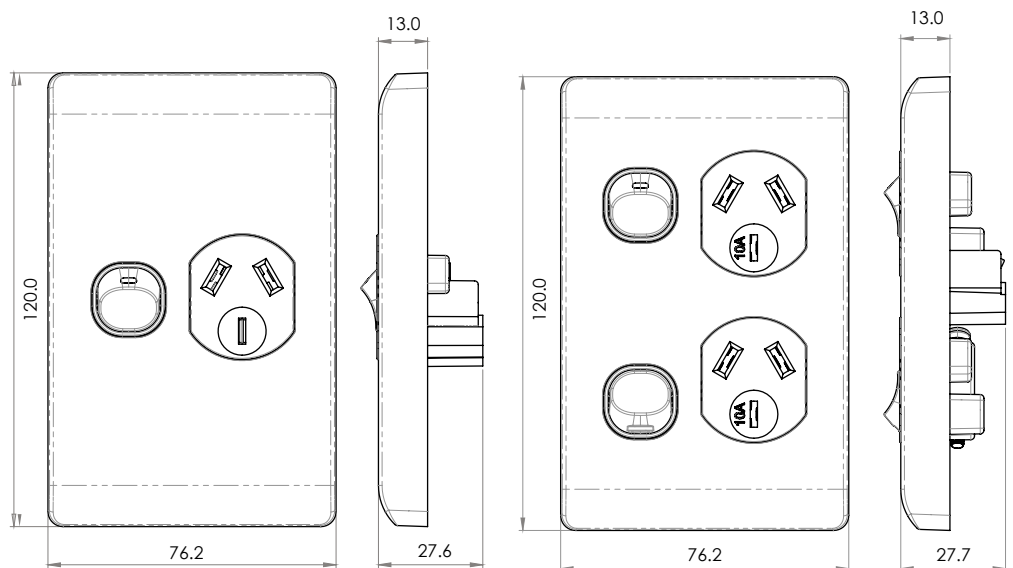
Do not use any cleaning sprays - only wipe down with damp cloth or rub with dry cloth. Do not use an abrasive cloth as it may scratch the plastic.

Do not use harsh chemical cleaners as these can break down the plastic and cause it to crack.

Do not wash the cover plates in water over 60°C.

Leopard Range of Vertical Single & Double Power Points

- Switches approved to AS/NZS3133
- Socket outlets approved to AS/NZS3112
- Fits standard Australian wall boxes and mounting accessories that use 84mm mounting centres
- Uses brass tunnel terminals that have the screws backed out for easier installation of cabling. Power point terminals have 6mm bore to suit 4 x 2.5mm² cable. Switch terminals have 4.1mm suit 4 x 1.5mm²
- Combination head screws for the socket terminals
- Dolly indicator colour green
- Covers, plates and dollies made from UV stabilised polycarbonate to avoid discolouring to yellow
- Standard colour is white.
- Typical example of size seen below:



Catalogue Number	Description
LEPPV1G	Power Point Switched Vertical 1 Gang, 10A 250V~
LEPPV2G	Power Point Switched Vertical 2 Gang, 10A 250V~

MEERKAT Switch Mechanisms are used for all switch plates.
Please refer to **Meerkat Mech Matrix** for range compatibility.

Certification Number:

LEPPV1G: GMA-501807-EA

LEPPV2G: GMA-501806-EA

GSM Electrical (Australia) Pty Ltd

Level 2, 142-144 Fullarton Road, Rose Park SA 5067

P: 1300 301 838 F: 1300 301 778 E: service@gsme.com.au

www.gsme.com.au



**LEPP2USBAU
LEPP2USBAUBK
LEPP2USBAUCBA**

*See current catalogue for further detail

Cleaning Guide:

Spraying cleaning products directly on to electrical switches or power points (sockets) is not recommended.

It is important to ensure that switches are turned off before cleaning.

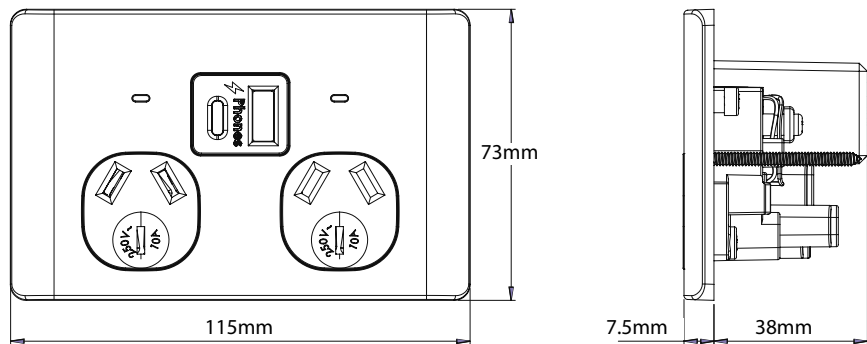
Do not use any cleaning sprays - only wipe down with damp cloth or rub with dry cloth. Do not use an abrasive cloth as it may scratch the plastic.

Do not use harsh chemical cleaners as these can break down the plastic and cause it to crack.

Do not wash the cover plates in water over 60°C.

Leopard Range of Dual USB Charger Power Points

- Wall plate 7.5mm thick to align with other Leopard plates in the range.
- Sockets rated to 10A 250V a.c.
- Warm white LED indicators to show power on status.
- USB outlets rated to 3.4A max total at 5V.
- Auto-Switched socket outlet switches active upon plug insertion/withdrawal.
- Each electrical socket contains shutters activated from the neutral pin.
- The USB circuit is integrated with the socket outlet and connected internally so only one set of terminals are required for the electrician to wire the device.
- Fits standard mounting accessories with 84mm centres.
- Terminals suit 3 x 2.5mm².
- Recommended for phone use or small tablets only, larger devices such as laptops with USB C connections require much greater output.
- Covers, plates and dollies are made from UV stabilised polycarbonate to avoid discolouring to yellow.
- Standard colour is White. Also available in Black.
- Brushed Aluminium Covers (LEPP2USBAUCBA) available.
- Product is approved in accordance with AS/NZS3112.
- USB outlets comply with AS/NZS61558.2.16:2010 A1-3.
- Typical example of size seen below:



Catalogue Number	Description
LEPP2USBAU	Power Point Fully Integrated Dual USB Charger (Type A & C) Auto-Switched, 10A 250V~
LEPP2USBAUBK	Power Point Fully Integrated Dual USB Charger (Type A & C) Auto-Switched, 10A 250V~ Black
LEPP2USBAUCBA	Power Point Fully Integrated Dual USB Charger (Type A & C) Auto-Switched ~ Cover Brushed Aluminium

Brushed Aluminium Covers have a 10 year warranty.

Certification Number:
TBC

GSM Electrical (Australia) Pty Ltd
Level 2, 142-144 Fullarton Road, Rose Park SA 5067
P: 1300 301 838 F: 1300 301 778 E: service@gsm.com.au
www.gsm.com.au



Data Specification Sheet
April 2021



LESWVA1G
LESWVA2G
LESWVA3G

*See current catalogue for further detail

Cleaning Guide:

Spraying cleaning products directly on to electrical switches or power points (sockets) is not recommended.

It is important to ensure that switches are turned off before cleaning.

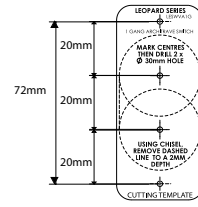
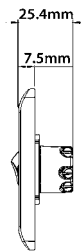
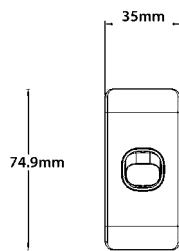
Do not use any cleaning sprays - only wipe down with damp cloth or rub with dry cloth. Do not use an abrasive cloth as it may scratch the plastic.

Do not use harsh chemical cleaners as these can break down the plastic and cause it to crack.

Do not wash the cover plates in water over 60°C.

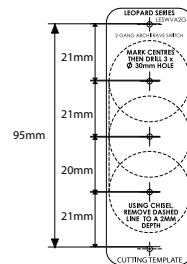
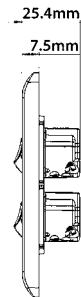
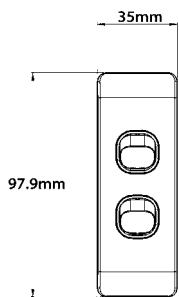
Leopard Range of Architrave Switches

- Switches are rated 16AX/20A 250V~
- Uses brass tunnel terminals that have the screws backed out for easier installation of cabling. Switches are two way with looping terminal and suit 4 x 1.5mm² cabling with 4.1mm bore
- Slotted head screws for the terminals
- Covers, plates and dollies are made from UV stabilised polycarbonate to avoid discolouring to yellow
- Standard colour is white. Black also stocked - please check availability
- Approved to AS/NZS60669-1
- Typical example of size seen below:



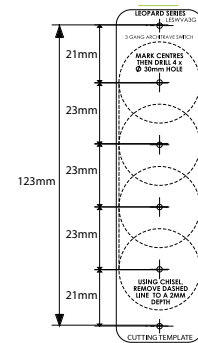
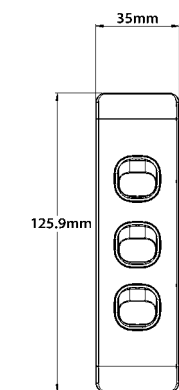
example of cutting template supplied

LESWVA1G



example of cutting template supplied

LESWVA2G



example of cutting template supplied

LESWVA3G

Catalogue Number	Description
LESWVA1G	Switch Vertical Architrave 1 Gang, 16AX/20A 250V~
LESWVA2G	Switch Vertical Architrave 2 Gang, 16AX/20A 250V~
LESWVA3G	Switch Vertical Architrave 3 Gang, 16AX/20A 250V~

When ordering BLACK product add "BK" at end of catalogue number, ie LEPP1GBK



MEERKAT Switch Mechanisms are used for all switch plates. Please refer to Meerkat Mech Matrix for range compatibility.

Certification Number:
GMA-507879-EA

GSM Electrical (Australia) Pty Ltd
Level 2, 142-144 Fullarton Road, Rose Park SA 5067
P: 1300 301 838 F: 1300 301 778 E: service@gsm.com.au
www.gsm.com.au



Vertical Switches

LESWV1G
LESWV2G
LESWV3G
LESWV4G
LESWV5G
LESWV6G

Horizontal Switches

LESW1G
LESW2G
LESW3G
LESW4G
LESW5G
LESW6G

Switch Plates (Less Mechs)

LESWPV1G
LESWPV2G
LESWPV3G
LESWPV4G
LESWPV5G
LESWPV6G
LESWPVXG

*See current catalogue for further detail

Note: MESWC (previously LESWM) switch mechanism used in conjunction with Snow Leopard, Leopard and Cheetah plates

Cleaning Guide:

Spraying cleaning products directly on to electrical switches or power points (sockets) is not recommended.

It is important to ensure that switches are turned off before cleaning.

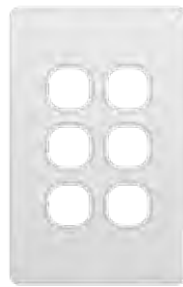
Do not use any cleaning sprays - only wipe down with damp cloth or rub with dry cloth. Do not use an abrasive cloth as it may scratch the plastic.

Do not use harsh chemical cleaners as these can break down the plastic and cause it to crack.

Do not wash the cover plates in water over 60°C.

Leopard Range of Switch Plates

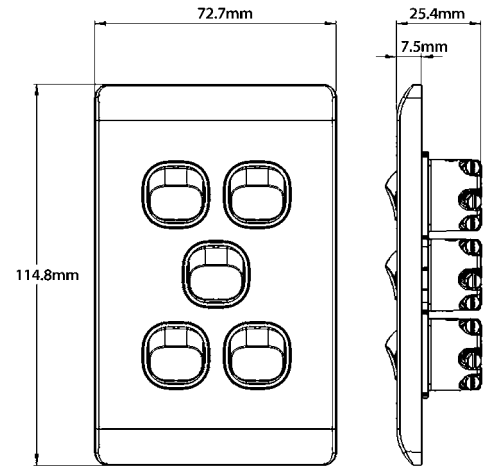
- Switches are rated 16AX/20A 250V~ and approved to AS/NZS60669-1
- Fits standard Australian wall boxes and mounting accessories that use 84mm mounting centres
- Uses brass tunnel terminals that have the screws backed out for easier installation of cabling. Switches are two way with looping terminal and suit 4 x 1.5mm² cabling with 4.1mm bore
- Slotted head screws for the terminals
- Uses 'Cat Flap' screw covers for IP rating or mounting screws
- Covers, plates and dollies are made from UV stabilised polycarbonate to avoid discolouring to yellow
- Standard colour is white. Black and Brushed Aluminium covers also stocked - please check availability
- Plates suit Trader Meerkat MESWC mechs, including TV and Data; and Clipsal 30 Style* mechs and accessories
- Typical example of size in diagram:



Example of cover plate only / grid and plate only (less mech)



Example of cover plate with MERJ6CM data mech installed



Catalogue No.	Description
LESWV1G	Switch Vertical 1 Gang, 16AX/20A 250V~
LESWV2G	Switch Vertical 2 Gang, 16AX/20A 250V~
LESWV3G	Switch Vertical 3 Gang, 16AX/20A 250V~
LESWV4G	Switch Vertical 4 Gang, 16AX/20A 250V~
LESWV5G	Switch Vertical 5 Gang, 16AX/20A 250V~
LESWV6G	Switch Vertical 6 Gang, 16AX/20A 250V~
LESW1G	Switch Horizontal 1 Gang, 16AX/20A 250V~
LESW2G	Switch Horizontal 2 Gang, 16AX/20A 250V~
LESW3G	Switch Horizontal 3 Gang, 16AX/20A 250V~
LESW4G	Switch Horizontal 4 Gang, 16AX/20A 250V~
LESW5G	Switch Horizontal 5 Gang, 16AX/20A 250V~
LESW6G	Switch Horizontal 6 Gang, 16AX/20A 250V~

Horizontals available by request

Catalogue No.	Description
LESWPV1G	Switch Plate Vertical 1 Gang (Less Mech)
LESWPV2G	Switch Plate Vertical 2 Gang (Less Mech)
LESWPV3G	Switch Plate Vertical 3 Gang (Less Mech)
LESWPV4G	Switch Plate Vertical 4 Gang (Less Mech)
LESWPV5G	Switch Plate Vertical 5 Gang (Less Mech)
LESWPV6G	Switch Plate Vertical 6 Gang (Less Mech)
LESWPVXG	Blank plate & cover

The above catalogue numbers where "P" appears in number, refers to Cover Plate Only / Grid and Plate only (less mech)

* The Clipsal brand and associated products are Trademarks of Schneider Electric (Australia) Pty Ltd.

GSM Electrical (Australia) Pty Ltd, the TRADER brand and it's products, have no endorsement or affiliation with Schneider Electric Pty Ltd.

When ordering BLACK product add "BK" at end of catalogue number, ie LEPP1GBK

When ordering BRUSHED ALUMINIUM (cover) add "CBA" at end of catalogue number, ie LEPP1GCBA



MEERKAT Switch Mechanisms are used for all switch plates. Please refer to Meerkat Mech Matrix for range compatibility.

Certification Number:
GMA-507879-EA

GSM Electrical (Australia) Pty Ltd
Level 2, 142-144 Fullarton Road, Rose Park SA 5067
P: 1300 301 838 F: 1300 301 778 E: service@gsme.com.au
www.gsme.com.au



Data Specification Sheet
February 2021



LESWDPOV45
LESWDPOV45H
LESWDPOV45BK
LESWDPOV45BKH
LESWDPOV45BKSV
LESWDPOV45BKSVH
LESWDPOV45WSV
LESWDPOV45WSVH

*See current catalogue for further detail

Cleaning Guide:

Spraying cleaning products directly on to electrical switches or power points (sockets) is not recommended.

It is important to ensure that switches are turned off before cleaning.

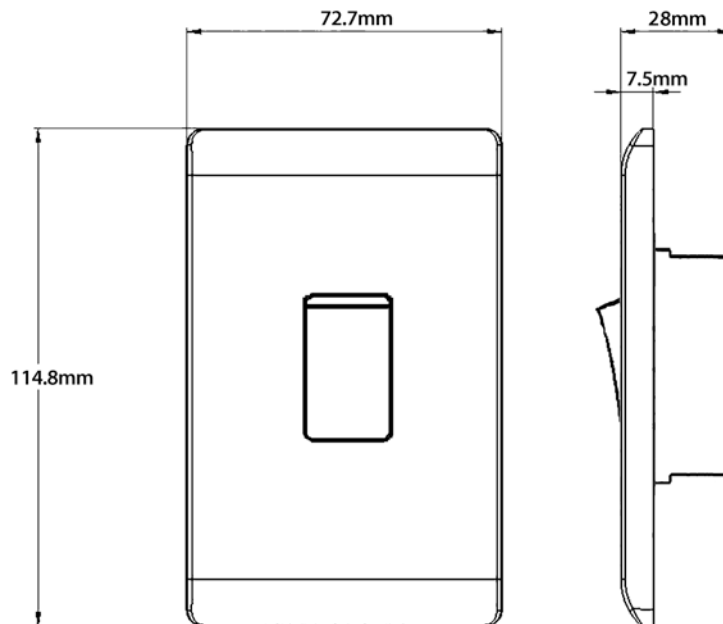
Do not use any cleaning sprays - only wipe down with damp cloth or rub with dry cloth. Do not use an abrasive cloth as it may scratch the plastic.

Do not use harsh chemical cleaners as these can break down the plastic and cause it to crack.

Do not wash the cover plates in water over 60°C.

Leopard Oven Switches

- Switch approved to AS/NZS60669.1:2013
- 45A 250V~, Double Pole
- Includes looping terminals
- Terminal bore 5.8mm diameter
- Cover, plate and dolly is made from UV stabilised polycarbonate to avoid discolouring to yellow
- Standard colour is white. Colours available: White, Black, Black/Silver, White/Silver - please check availability



Catalogue Number	Description
LESWDPOV45	Switch Oven 45A 250V~ Double Pole
LESWDPOV45H	Switch Oven 45A 250V~ Double Pole Horizontal
LESWDPOV45BK	Switch Oven 45A 250V~ Double Pole Black
LESWDPOV45BKH	Switch Oven 45A 250V~ Double Pole Black Horizontal
LESWDPOV45BKSV	Switch Oven 45A 250V~ Double Pole Black Silver
LESWDPOV45BKSVH	Switch Oven 45A 250V~ Double Pole Black Silver Horizontal
LESWDPOV45WSV	Switch Oven 45A 250V~ Double Pole White Silver
LESWDPOV45WSVH	Switch Oven 45A 250V~ Double Pole White Silver Horizontal

Certification Number: GMA-502679

GSM Electrical (Australia) Pty Ltd

Level 2, 142-144 Fullarton Road, Rose Park SA 5067

P: 1300 301 838 F: 1300 301 778 E: service@gsm.com.au

www.gsm.com.au



Data Specification Sheet
October 2018



LEPPSHELF

For use with LEPP2G

Cleaning Guide:

Spraying cleaning products directly on to electrical switches or power points (sockets) is not recommended.

It is important to ensure that switches are turned off before cleaning.

Do not use any cleaning sprays - only wipe down with damp cloth or rub with dry cloth. Do not use an abrasive cloth as it may scratch the plastic.

Do not use harsh chemical cleaners as these can break down the plastic and cause it to crack.

Do not wash the cover plates in water over 60°C.

Leopard Power Point Shelf

- Suitable for use with Leopard LEPP2G plates
- Includes screw caps and plugs for secure retention on wall
- No need to remove wall plates from wall for installation of the shelf



Example of the Leopard Shelf in use with LEPP2G

Easy to install:
Align Top first against wall then slide down and swing bottom into place



Example of the Leopard Shelf in use

