



**HPSW1G**  
**HPSW1GBK**  
**HPSW2G**  
**HPSW2GBK**

\*See current catalogue for further detail

**Cleaning Guide:**

Spraying cleaning products directly on to electrical switches or power points (sockets) is not recommended.

It is important to ensure that switches are turned off before cleaning.

Do not use any cleaning sprays - only wipe down with damp cloth or rub with dry cloth. Do not use an abrasive cloth as it may scratch the plastic.

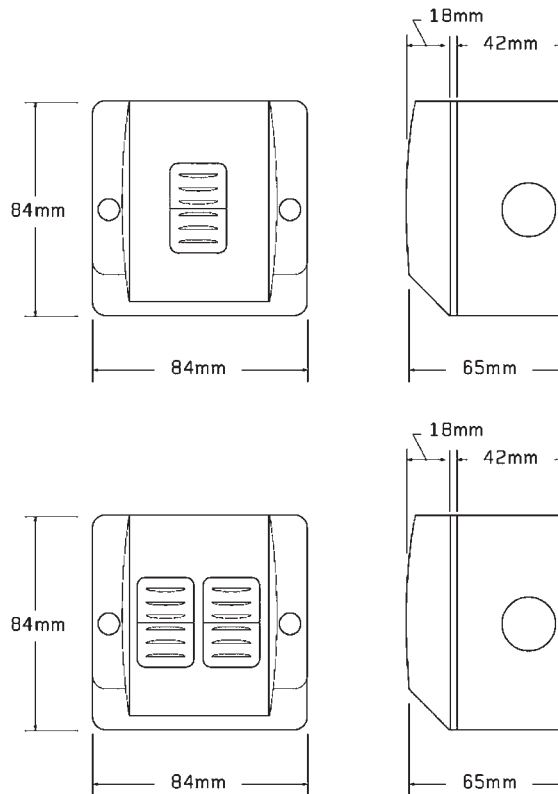
Do not use harsh chemical cleaners as these can break down the plastic and cause it to crack.

Do not wash the cover plates in water over 60°C.

## Hippo Range of Switches

### HPSW1G, HPSW2G, HPSW1GBK, HPSW2GBK

- 16AX/20A 250V~ rated modular weatherproof switches
- Heavy duty switch mechanism with additional mech securing screws
- The Hippo product including dollies, are made from UV Stabilised Polycarbonate to avoid discolouring
- IP66 ideal for prevention against water or harmful objects that may compromise conventional light switches. Perfect for use in exterior applications, or damp/dusty environments such as building exteriors, carports, gardens or workshops
- Styling matches the rest of the Trader Hippo family of products
- Back mounting boxes that contain 20mm and 25mm plain entries
- Colours available include Grey or Black



Catalogue Number	Description
HPSW1G	Single Outdoor Switch IP66 16AX/20A
HPSW1GBK	Single Outdoor Switch IP66 16AX/20A, Black
HPSW2G	Double Outdoor Switch IP66 16AX/20A
HPSW2GBK	Double Outdoor Switch IP66 16AX/20A, Black

**Certification Number:**

HPSW1G & HPSW2G: GMA-103194-EA-012

**GSM Electrical (Australia) Pty Ltd**

Level 2, 142-144 Fullarton Road, Rose Park SA 5067

P: 1300 301 838 F: 1300 301 778 E: service@gsme.com.au

[www.gsme.com.au](http://www.gsme.com.au)





**HPPP1G**  
**HPPP151G**  
**HPPP1GS**  
**HPPP1GSBK**

\*See current catalogue for further detail

**SOCKETS ARE IP54 RATED 'ZONE 2' READY**

**DOES NOT REQUIRE A COVER! It comes standard as IP54!**

*No need for additional plastic socket flaps to achieve IP54 "ZONE 2" for pools, wet areas and ponds; as per AS/NZS3000.*

**Cleaning Guide:**

Spraying cleaning products directly on to electrical switches or power points (sockets) is not recommended.

It is important to ensure that switches are turned off before cleaning.

Do not use any cleaning sprays - only wipe down with damp cloth or rub with dry cloth. Do not use an abrasive cloth as it may scratch the plastic.

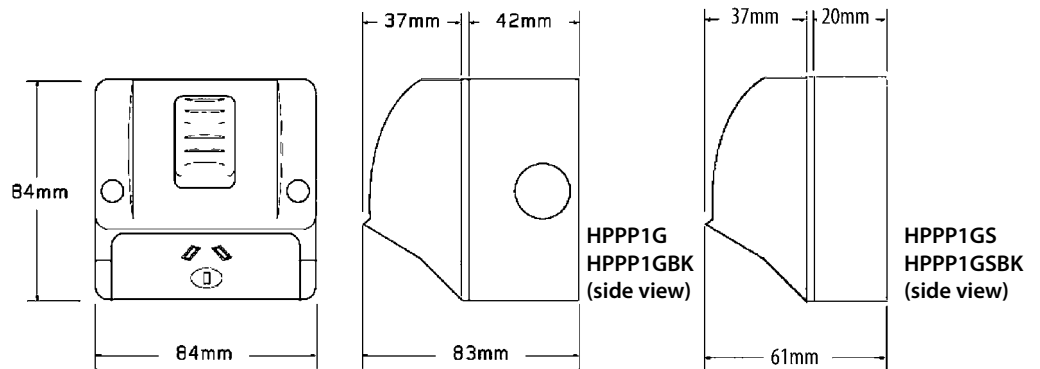
Do not use harsh chemical cleaners as these can break down the plastic and cause it to crack.

Do not wash the cover plates in water over 60°C.



## Hippo Range of Single Power Points Standard and Shallow Base

- 10A 250V~ rated modular weatherproof sockets
- The Hippo product including dollies, is made from UV Stabilised Polycarbonate to avoid discolouring
- IP54 ideal for prevention against water splashes or harmful objects that may compromise conventional socket outlets. Perfect for use in exterior applications, or damp/dusty environments - building exteriors, carports, gardens or workshops
- Styling matches the rest of the Trader Hippo family of products
- Colour: Grey – HPPP1GS is available in black – please check availability



Catalogue Number	Description
HPPP1G	Single Outdoor Power Point IP54 10A
HPPP151G	Single Outdoor Power Point IP54 15A
HPPP1GS	Single Outdoor Power Point IP54 10A Shallow
HPPP1GSBK	Single Outdoor Power Point IP54 10A, Shallow, Black

**Certification Number:**  
GMA-103194-EA-005

**GSM Electrical (Australia) Pty Ltd**  
 Level 2, 142-144 Fullarton Road, Rose Park SA 5067  
 P: 1300 301 838 F: 1300 301 778 E: service@g sme.com.au  
[www.g sme.com.au](http://www.g sme.com.au)





## HPPP1GVDR

\*See current catalogue for further detail

**SOCKETS  
ARE IP54  
RATED  
'ZONE 2'  
READY**

**DOES NOT REQUIRE  
A COVER! It comes  
standard as IP54!**

*No need for additional plastic socket flaps to achieve IP54 "ZONE 2" for pools, wet areas and ponds; as per AS/NZS3000.*

### Cleaning Guide:

Spraying cleaning products directly on to electrical switches or power points (sockets) is not recommended.

It is important to ensure that switches are turned off before cleaning.

Do not use any cleaning sprays - only wipe down with damp cloth or rub with dry cloth. Do not use an abrasive cloth as it may scratch the plastic.

Do not use harsh chemical cleaners as these can break down the plastic and cause it to crack.

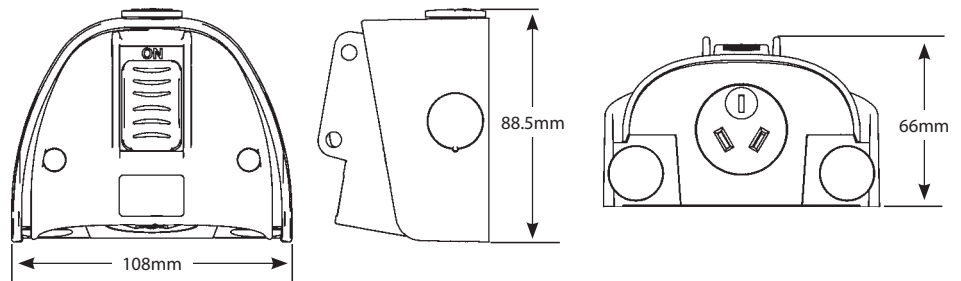
Do not wash the cover plates in water over 60°C.



## Hippo Range of Single Power Points

### HPPP1GVDR

- 10A 250V~ rated modular weatherproof sockets
- The Hippo product including dollies, are made from UV Stabilised Polycarbonate to avoid discolouring
- IP54 ideal for prevention against water splashes or harmful objects that may compromise conventional socket outlets. Perfect for use in exterior applications, or damp/dusty environments - building exteriors, carports, gardens or workshops
- Styling matches the rest of the Trader Hippo family of products
- Single gang back mounting boxes that contain 20mm plain entries
- HPPP1GVDR is lockable in the ON or OFF position
- Colour: Grey



Catalogue Number	Description
HPPP1GVDR	Single Outdoor Socket Earth Pin Forward Facing IP54 10A

**Certification Number:**  
GMA-502162-EA

**GSM Electrical (Australia) Pty Ltd**  
Level 2, 142-144 Fullarton Road, Rose Park SA 5067  
P: 1300 301 838 F: 1300 301 778 E: service@g sme.com.au  
[www.g sme.com.au](http://www.g sme.com.au)





**HPPP2G**  
**HPPP2GBK**  
**HPPP2GS**  
**HPPPSW2G**  
**HPPPSW2GBK**  
**HPPP2GBS**  
**HPPP2GBSBK**  
**HPSMK2G**

\*See current catalogue for further detail

**SOCKETS ARE  
 IP54 RATED  
 'ZONE 2'  
 READY**

**DOES NOT REQUIRE  
 A COVER! It comes  
 standard as IP54!**

*No need for additional plastic socket  
 flaps to achieve IP54 "ZONE 2"  
 for pools, wet areas and ponds;  
 as per AS/NZS 3112:2004.*

**Cleaning Guide:**

Spraying cleaning products directly on to electrical switches or power points (sockets) is not recommended.

It is important to ensure that switches are turned off before cleaning.

Do not use any cleaning sprays - only wipe down with damp cloth or rub with dry cloth. Do not use an abrasive cloth as it may scratch the plastic.

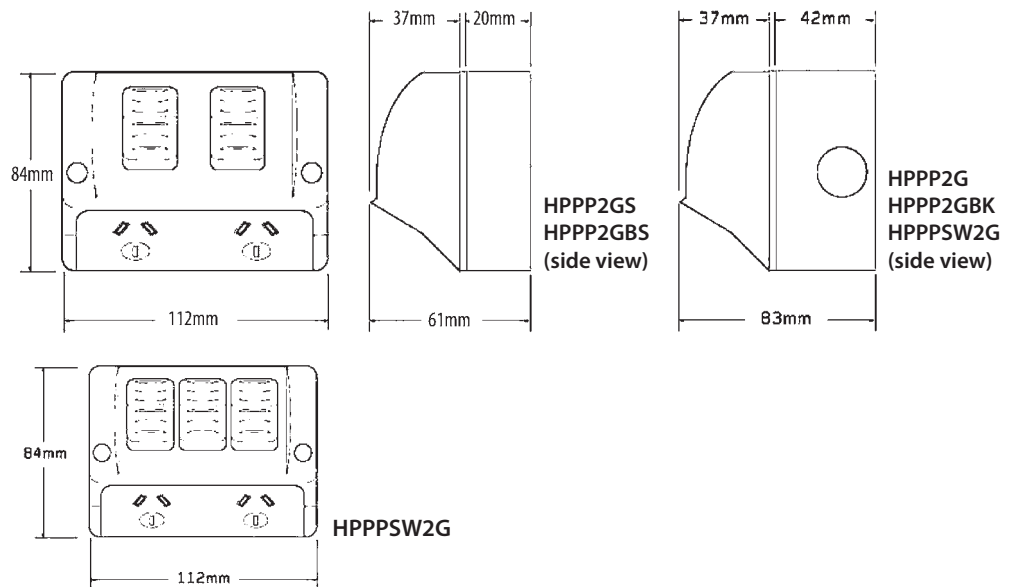
Do not use harsh chemical cleaners as these can break down the plastic and cause it to crack.

Do not wash the cover plates in water over 60°C.



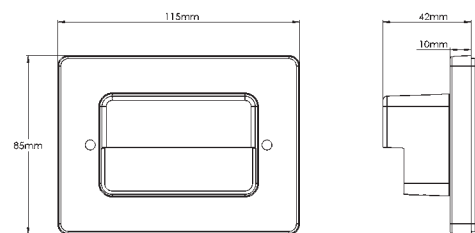
## Hippo Range of Double Power Points Standard and Shallow Base, Mounting Kit

- 10A 250V~ rated modular weatherproof sockets.
- The Hippo product including dollies, are made from UV Stabilised Polycarbonate to avoid discolouring
- IP54 ideal for prevention against water splashes or harmful objects that may compromise conventional socket outlets. Perfect for use in exterior applications, or damp/dusty environments - building exteriors, carports, gardens or workshops.
- Styling matches the rest of the Trader Hippo family of products.
- Contain 25mm plain entries.
- Colour: Grey & Black - please check availability



**HPSMK2G Mounting Kit**

- Mounting kit to suit HPPP2G and HPPPSW2G
- Made from UV stabilised polycarbonate to avoid discolouring to yellow



Catalogue Number	Description
HPPP2G	Double Outdoor Power Point IP54 10A
HPPP2GBK	Double Outdoor Power Point IP54 10A, Black
HPPP2GS	Double Outdoor Weatherproof Power Point IP54 10A 250V~ Shallow Base
HPPPSW2G	Double Outdoor Power Point With Extra Switch IP54 10A/10AX
HPPPSW2GBK	Double Outdoor Power Point With Extra Switch IP54 10A/10AX, Black
HPPP2GBS	Double Outdoor Weatherproof Power Point Base Only Shallow
HPPP2GBSBK	Double Outdoor Weatherproof Power Point Base Only Shallow, Black
HPSMK2G	84mm Recessed Mounting Adaptor

**Certification Number:**  
 GMA-103194-EA-005

**GSM Electrical (Australia) Pty Ltd**  
 Level 2, 142-144 Fullarton Road, Rose Park SA 5067  
 P: 1300 301 838 F: 1300 301 778 E: service@g sme.com.au  
[www.g sme.com.au](http://www.g sme.com.au)





## HPPP2GSC

\*See current catalogue for further detail

**SOCKETS  
ARE IP54  
RATED  
'ZONE 2'  
READY**

**DOES NOT REQUIRE  
A COVER! It comes  
standard as IP54!**

No need for additional plastic socket flaps to achieve IP54 "ZONE 2" for pools, wet areas and ponds; as per AS/NZS3000.

### Cleaning Guide:

Spraying cleaning products directly on to electrical switches or power points (sockets) is not recommended.

It is important to ensure that switches are turned off before cleaning.

Do not use any cleaning sprays - only wipe down with damp cloth or rub with dry cloth. Do not use an abrasive cloth as it may scratch the plastic.

Do not use harsh chemical cleaners as these can break down the plastic and cause it to crack.

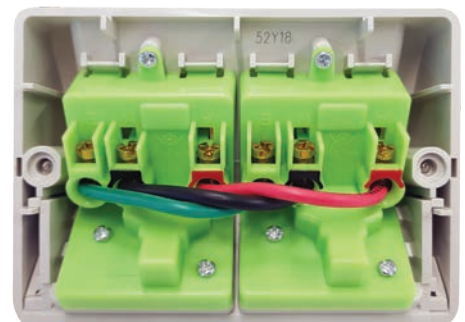
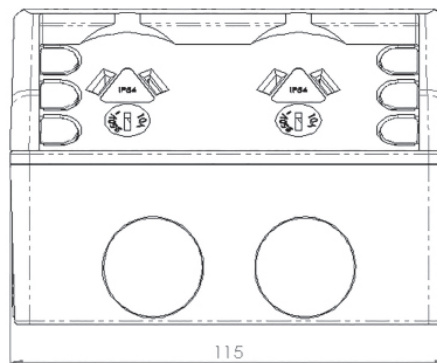
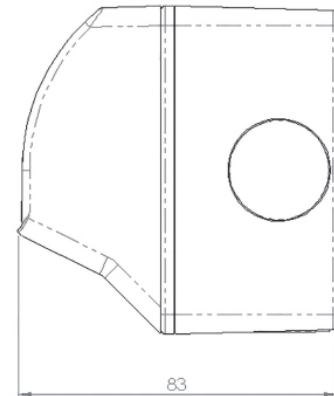
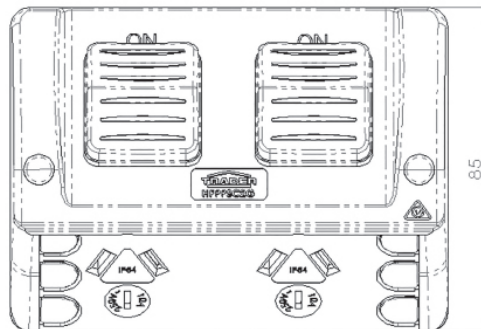
Do not wash the cover plates in water over 60°C.



## Hippo Power Point (Separate Circuit)

The HPPP2GSC is an expansion of the Hippo Range of Power Points that allows two independent switched sockets to be wired in the same enclosure

- 10A 250V~ rated modular weatherproof sockets with loop wires
- The Hippo product including dummies, are made from UV Stabilised Polycarbonate to avoid discolouring
- IP54 ideal for prevention against water splashes or harmful objects that may compromise conventional socket outlets. Perfect for use in zone two exterior applications, or damp/dusty environments - building exteriors, carports, gardens or workshops
- Styling matches the rest of the Trader Hippo family of products
- Double gang boxes containing 25mm plain and threaded entries
- Colour: Grey
- Can be mounted on the shallow back box series such as the HPPP2GBS and HPSMK2G
- Other features of the product include the removable caps adjacent to the socket faces that are designed to be replaced with IPA studs for easy circuit identification. This helps to speed up any circuit ID process as the hole positions are available from removing the existing plugs and will maintain the IP54 rating when replaced with the IPA stud.



Catalogue Number	Description
HPPP2GSC	Double Outdoor Power Point, Separate Circuit, IP54 10A

**Certification Number:**  
GMA-504800-EA

**GSM Electrical (Australia) Pty Ltd**  
Level 2, 142-144 Fullarton Road, Rose Park SA 5067  
P: 1300 301 838 F: 1300 301 778 E: service@gsme.com.au  
[www.gsme.com.au](http://www.gsme.com.au)





**HPISW120**  
**HPISWL120**  
**HPISWL140**  
**HPISWL163**  
**HPISWL220**  
**HPISWL235**  
**HPISWL263**  
**HPISWL320**  
**HPISWL335**  
**HPISWL363**  
**HPISWL420**  
**HPISWL435**  
**HPISWL463**

\*See current catalogue for further detail

## Page 1 of 2

### Cleaning Guide:

Spraying cleaning products directly on to electrical switches or power points (sockets) is not recommended.

It is important to ensure that switches are turned off before cleaning.

Do not use any cleaning sprays - only wipe down with damp cloth or rub with dry cloth. Do not use an abrasive cloth as it may scratch the plastic.

Do not use harsh chemical cleaners as these can break down the plastic and cause it to crack.

Do not wash the cover plates in water over 60°C.



## Hippo Range Isolators - Page 1 of 2

- Hippo Isolators are tested to AS/NZS3133 and AS/NZS IEC60947-3
- The Hippo larger enclosures feature twin 25mm threaded entries both top and bottom.
- The internal isolator switch modules are base mounted to provide a stable platform for wiring. Examples of the inner modules are pictured below.
- More detail for switches can be seen in table on following page
- Packaging lid features cutting template for easy marking out.
- Colour: grey

### The switches feature:

- Combination head terminal screws
- Combination head earth and neutral terminal screws
- Alignment sleeves on switch housing guides screwdriver into terminal screws, reduces screwdriver tips jumping out
- Terminal bores have plenty of space for wiring (see table for sizes)



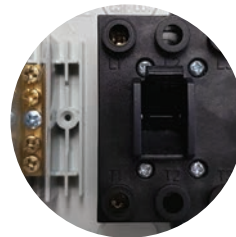
Example of internal HPISW120 switch



Example of internal HPISWL140 switch



Example of internal 1-pole switch



Example of internal 2-pole switch



Example of internal 3-pole switch



Example of internal 4-pole switch

### Certification Number:

HPISW120: GMA-103194-EA-002 / HPISWL120: GMA-103194-EA-001 / HPISWL140: GMA-103194-EA-001  
 HPISWL220, HPISWL320, HPISWL420: GMA-502364-EA  
 HPISWL163, HPISWL335, HPISWL363, HPISWL435, HPISWL463: GSM-502365

### GSM Electrical (Australia) Pty Ltd

Level 2, 142-144 Fullarton Road, Rose Park SA 5067  
 P: 1300 301 838 F: 1300 301 778 E: service@gsme.com.au  
[www.gsme.com.au](http://www.gsme.com.au)

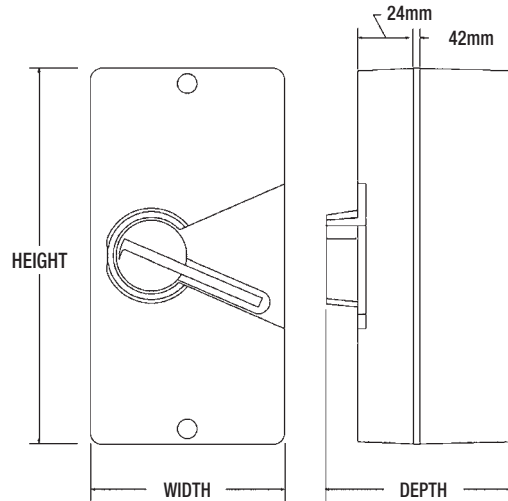


HPISW120  
 HPISWL120  
 HPISWL140  
 HPISWL163  
 HPISWL220  
 HPISWL235  
 HPISWL263  
 HPISWL320  
 HPISWL335  
 HPISWL363  
 HPISWL420  
 HPISWL435  
 HPISWL463

\*See current catalogue for further detail

Page 2 of 2

## Hippo Range Isolators - Page 2 of 2



\*\*Refer to chart below for product dimensions\*\*

Hippo Isolator part number	No. of poles	Current rating	Voltage	Utilization category	Motor Rating	IP Rating	Top Entries	Bottom Entries	Terminal screw drive	Terminal hole size	Padlock hole	Width	Height	Depth
HPISW120	1	20A	250V ac	-	M100	IP65	2 x 25mm Plain	2 x 20mm Plain	#1 Philips/Flat combo	Dia 4.5mm	8.4mm	84mm	84mm	83mm
HPISWL120	1	20A	250V ac	-	M220	IP65	2 x 25mm Threaded	2 x 25mm Threaded	#2 Philips/Flat combo	Dia 6.5mm	8.4mm	84mm	164mm	84mm
HPISWL140	1	40A	250V ac	-	M220	IP66	2 x 25mm Threaded	2 x 25mm Threaded	#2 Philips/Flat combo	Dia 6.5mm	8.4mm	84mm	164mm	84mm
HPISWL163	1	63A	250V ac	AC-22A	M180	IP66	2 x 25mm Threaded	2 x 25mm Threaded	#2 Philips/Flat combo	Dia 7.7mm	Dia 9.4mm	82mm	168.5mm	86.5mm
HPISWL220	2	20A	440V ac	AC-22A	M180	IP66	2 x 25mm Threaded	2 x 25mm Threaded	#2 Philips/Flat combo	Dia 7.7mm	Dia 9.4mm	82mm	168.5mm	86.5mm
HPISWL235	2	35A	440V ac	AC-22A	M180	IP66	2 x 25mm Threaded	2 x 25mm Threaded	#2 Philips/Flat combo	Dia 7.7mm	Dia 9.4mm	82mm	168.5mm	86.5mm
HPISWL263	2	63A	440V ac	AC-22A	M180	IP66	2 x 25mm Threaded	2 x 25mm Threaded	#2 Philips/Flat combo	Dia 7.7mm	Dia 9.4mm	82mm	168.5mm	86.5mm
HPISWL320	3	20A	440V ac	AC-22A	M180	IP66	2 x 25mm Threaded	2 x 25mm Threaded	#2 Philips/Flat combo	Dia 7.7mm	Dia 9.4mm	82mm	168.5mm	86.5mm
HPISWL335	3	35A	440V ac	AC-22A	M180	IP66	2 x 25mm Threaded	2 x 25mm Threaded	#2 Philips/Flat combo	Dia 7.7mm	Dia 9.4mm	82mm	168.5mm	86.5mm
HPISWL363	3	63A	440V ac	AC-22A	M180	IP66	2 x 25mm Threaded	2 x 25mm Threaded	#2 Philips/Flat combo	Dia 7.7mm	Dia 9.4mm	82mm	168.5mm	86.5mm
HPISWL420	4	20A	440V ac	AC-22A	M180	IP66	2 x 25mm Threaded	2 x 25mm Threaded	#2 Philips/Flat combo	Dia 7.7mm	Dia 9.4mm	82mm	168.5mm	86.5mm
HPISWL435	4	35A	440V ac	AC-22A	M180	IP66	2 x 25mm Threaded	2 x 25mm Threaded	#2 Philips/Flat combo	Dia 7.7mm	Dia 9.4mm	82mm	168.5mm	86.5mm
HPISWL463	4	63A	440V ac	AC-22A	M180	IP66	2 x 25mm Threaded	2 x 25mm Threaded	#2 Philips/Flat combo	Dia 7.7mm	Dia 9.4mm	82mm	168.5mm	86.5mm



**Certification Number:**

HPISW120: GMA-103194-EA-002 / HPISWL120: GMA-501266-EA / HPISWL140: GMA-103194-EA-001  
 HPISWL220, HPISWL320, HPISWL420: GMA-502364-EA  
 HPISWL163, HPISWL335, HPISWL363, HPISWL435, HPISWL463: GSM-502365

**GSM Electrical (Australia) Pty Ltd**

Level 2, 142-144 Fullarton Road, Rose Park SA 5067  
 P: 1300 301 838 F: 1300 301 778 E: service@gsme.com.au  
[www.gsme.com.au](http://www.gsme.com.au)





## HPSSWCDP220 HPSSWCDP235

\*See current catalogue for further detail

### Cleaning Guide:

Spraying cleaning products directly on to electrical switches or power points (sockets) is not recommended.

It is important to ensure that switches are turned off before cleaning.

Do not use any cleaning sprays - only wipe down with damp cloth or rub with dry cloth. Do not use an abrasive cloth as it may scratch the plastic.

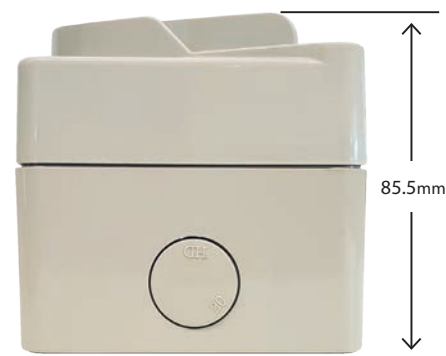
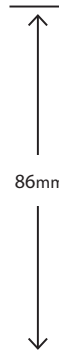
Do not use harsh chemical cleaners as these can break down the plastic and cause it to crack.

Do not wash the cover plates in water over 60°C.

## Hippo Range of Cover Mounted Surface Switches

### HPSSWCDP220, HPSSWCDP235

- HPSSWCDP220 - 16AX/20A 250V~ rated modular weatherproof switches
- HPSSWCDP235 - 16AX/35A 250V~ rated modular weatherproof switches
- Heavy duty switch mechanism with additional mech securing screws
- The Hippo product is made from UV Stabilised Polycarbonate to avoid discolouring
- IP66 ideal for prevention against water or harmful objects that may compromise conventional light switches. Perfect for use in exterior applications, or damp/dusty environments such as building exteriors, carports, gardens or workshops
- Styling matches the rest of the Trader Hippo family of products
- Back mounting boxes that contain 20mm and 25mm plain entries
- Cover mounted switches for easier wiring and access
- 20mm & 25mm plain entries in back box
- Colour: Grey



Catalogue Number	Description
HPSSWCDP220	Weatherproof Cover Mounted Surface Switch IP66 16AX/20A 250V~ Double Pole, IP66 M100
HPSSWCDP235	Weatherproof Cover Mounted Surface Switch IP66 16AX/35A 250V~ Double Pole, IP66 M100

**Certification Number:**  
GMA-503621-EA

**GSM Electrical (Australia) Pty Ltd**  
Level 2, 142-144 Fullarton Road, Rose Park SA 5067  
P: 1300 301 838 F: 1300 301 778 E: service@gsm.com.au  
[www.gsm.com.au](http://www.gsm.com.au)



Data Specification Sheet  
October 2018

