



AX-551-ES
ENTERTAINMENT SOCKET
WIRING DIAGRAM

PIN OUTS



Terminal	PCB	Pin Description
1	+V	+24VDC - In
2	RL1	Not Connected
3	CA1	Output to AX-500-NC External Trigger EXT. See Figure 4.
4	Gnd	0V
5	Gnd	0V
6	Relay	Output to AX-530 Electronic Latching Relay. See Figure 5.
7	+V	+24VDC - Out
8	J1	RJ45 Socket out to AX-520-IR IR Controller. See Figure 6.

Figure 1: Terminal description for the AX-1029-ES Entertainment Socket

WIRING DIAGRAMS

The standard setup of the AX-551-ES Entertainment Socket involves the following Adtex products:

- AX-500-NC: Nurse Call Point
- AX-530: Electronic Latching Relay
- AX-520-IR: Infrared TV Controller
- AX-551-BS: Entertainment Handset

All these products interface to the AX-551-ES Entertainment Socket to form the Adtex Entertainment Solution. It allows the integration of the AX-550 Entertainment Handset into the TV System, Bed Lighting System as well as most Nurse Call Systems.



Figure 2: The Adtex Trinity IP V3 Entertainment Solution

CONNECTING AX-1029-BS TO AX-1029-ES

To connect the AX-550 Entertainment Handset to the AX-551 Entertainment Socket, simply plug the end of the AX-551 Entertainment Handset into the socket of the AX-550 Entertainment Socket.

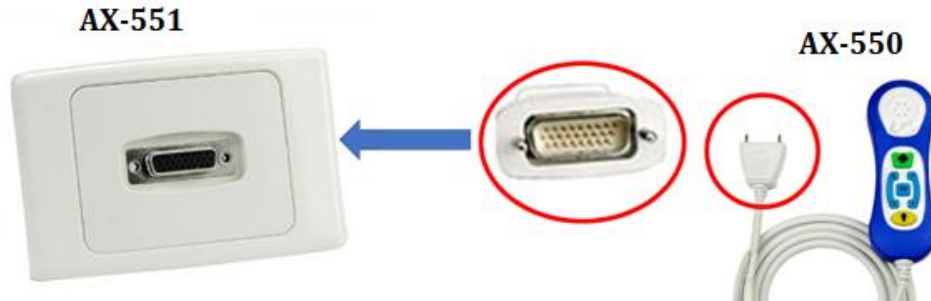


Figure 3: Connecting the AX-551 Entertainment Handset to the AX-550 Entertainment Socket

CONNECTING AX-551 TO AX-500-NC CALL POINT

Below is an example of how to interface the AX-551 Entertainment Socket with an AX-500-NC Nurse Call Point. The AX-551 and AX-500-NC share the same power supply. The terminal number 3 (from Figure 1) will connect to the EXT terminal of the AX-500-NC. See Figure 4. This allows the Entertainment Socket to integrate with a Nurse Call System.

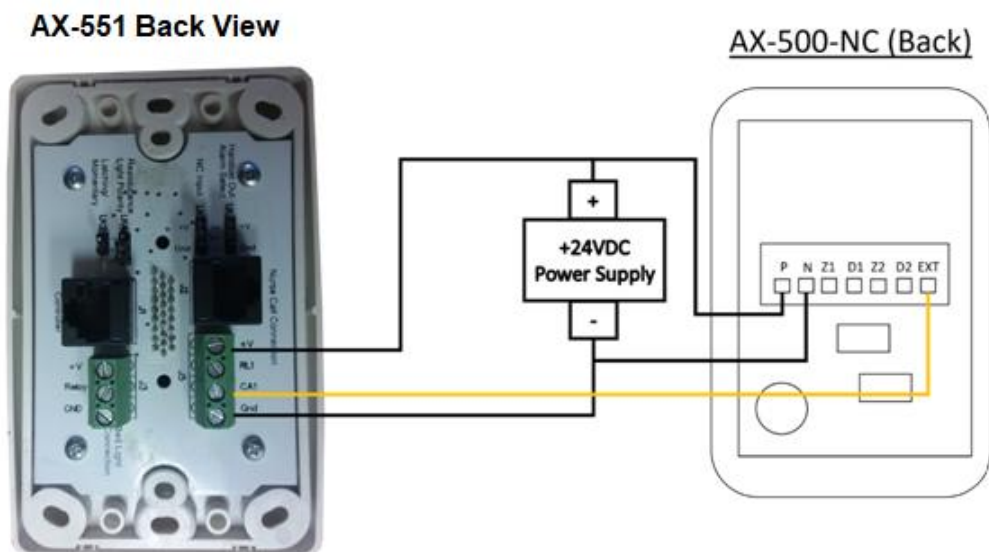
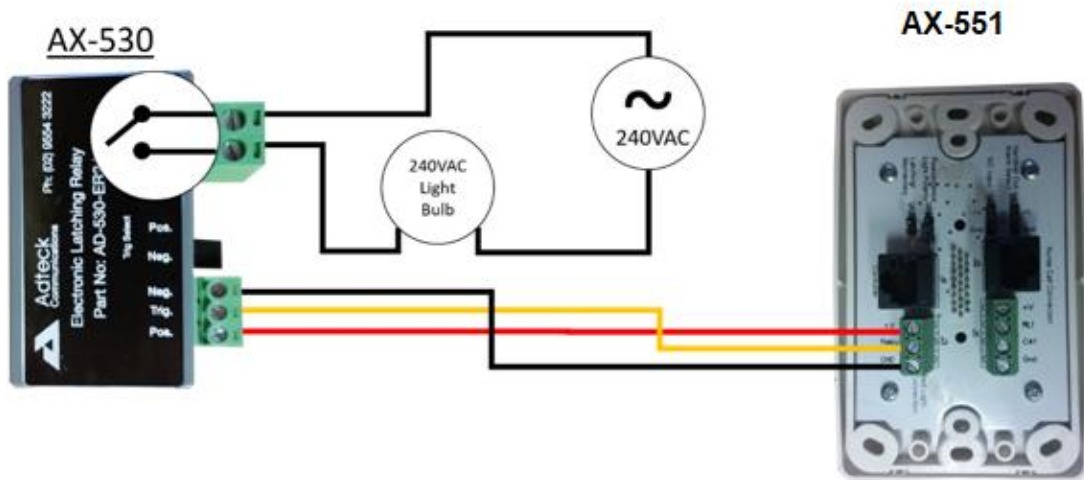


Figure 4: Interfacing an AX-1029-ES Entertainment Socket to AX-500-NC Nurse Call Point

CONNECTING AX-1029-ES TO AX-530 LATCHING RELAY

The AX-1029-ES Entertainment Socket is also used to trigger a bed light. This is achieved by interfacing to an AX-530 electronic latching relay. See Figure 5. Note that you will need to make sure the polarity is correct if using an LED if the LED is polarised. The relay is Normally Open.

Figure 5: Wiring AX-530 Relay



onic relay to AX-551-ES Entertainment Socket

CONNECTING AX-1029-ES TO AX-520-IR IR CONTROLLER

The AX-520-IR interfaces with the AX-551-ES Entertainment Socket through a simple straight through Ethernet Patch Lead. This allows the user to control and hear the TV through the handset.



Figure 6: Interface AX-551-ES Entertainment handset with AX-520-IR IR Controller

EXTRA INFORMATION

The AX-551-ES Entertainment Socket has jumper pins with a pre-set configuration. These do not need to be changed at all. See Figure 7. For further information, contact the Adtex Office.



Figure 7: Location of the jumper shunts. They do not need to be changed.