

SHADOW-2LT-ADJ

Double Adjustable Wall Light



Description

The SHADOW Series 2 Light Adjustable Wall Light offers a durable weatherproof solution to lighting up larger areas where ambient lighting is required.

Available in solid finishes (316 Stainless Steel and Copper), Anodised Titanium Silver Aluminium and Powder coated Aluminium (Textured Black and White). Suits a GU10 lamp (not included). Backed by a 2 Year Warranty.



Specification Features

Input Voltage: 240V
 Power (W): 2 x 35W Max
 IP rating (IP): 65
 Tilt & Swivel: 90° & 270°
 Lamp: GU10 (Not Included)



Copper



Black

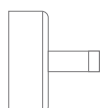
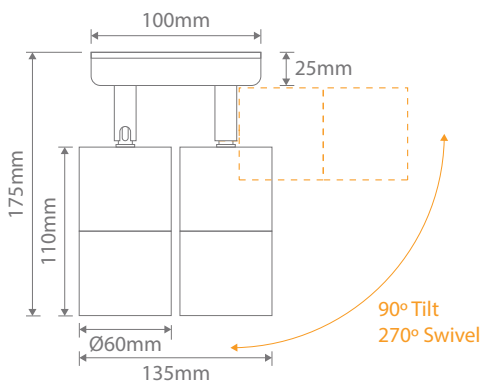


White

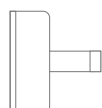


Titanium Silver

Diagrams / Additional



Aluminium models



Stainless Steel & Copper models

Item No.	Variant	Colour	Lamp
SHADOW-2LT-ADJ	49055	316 Stainless Steel	No Lamp
	49168		GU10 3000K
	49170		GU10 5000K
	49054	Copper	No Lamp
	49164		GU10 3000K
	49166		GU10 5000K
	49051	Black	No Lamp
	49160		GU10 3000K
	49162		GU10 5000K
	49052	White	No Lamp
	49176		GU10 3000K
	49178		GU10 5000K
	49053	Titanium Silver	No Lamp
	49172		GU10 3000K
	49174		GU10 5000K