

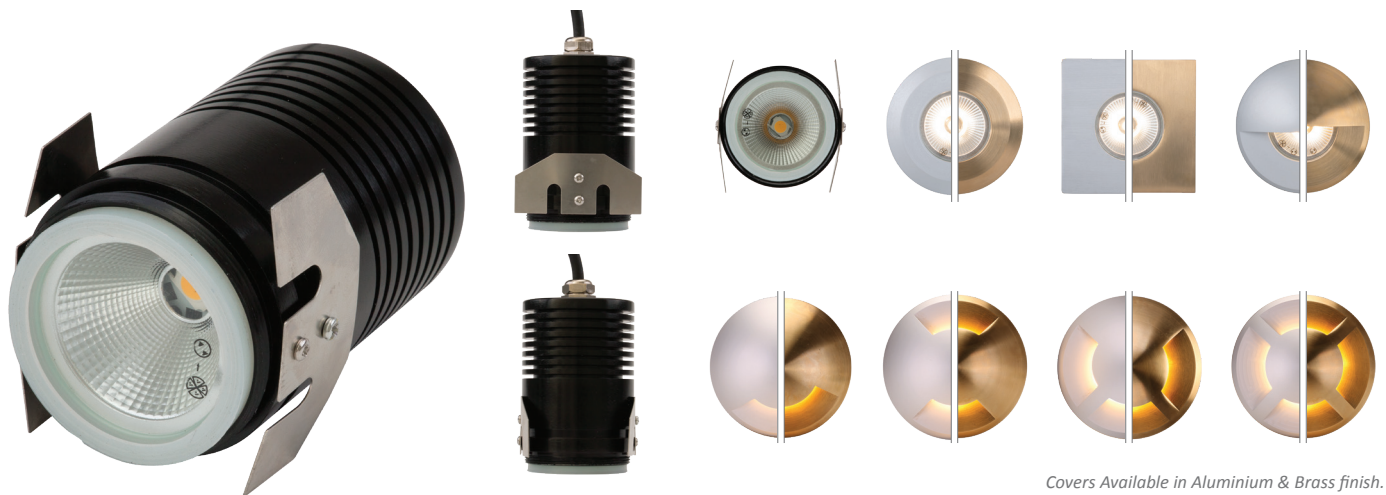
DEKA Inground Light



Description

The DEKA luminaire provides a practical solution for all inground lighting applications including pathways, driveways, courtyards and decks. Utilising a solid brass CNC machined external fascia plate and a 6063 graded aluminium in a black anodised finish.

The DEKA recessed inground luminaire in solid brass finish will age with time. This is a natural process which adds to the overall appeal of the fixture. A polycarbonate housing is provided for concrete applications. For installations in which do not require the polycarbonate housing such as timber decks the stainless steel spring clips offer a secure fit. Idea applications would also include up lighting trees, feature garden wall, external house fascia etc.

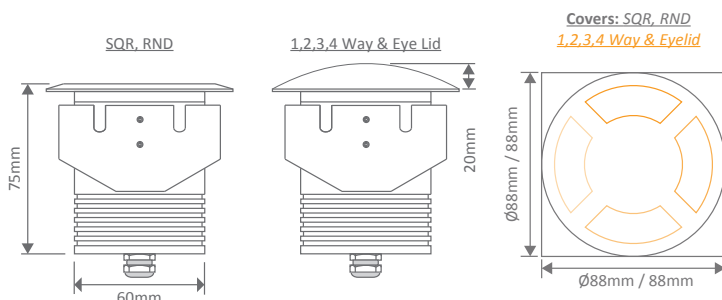


Covers Available in Aluminium & Brass finish.

Specification Features

- Input Voltage: 12V DC*
 - Power (W): 3W
 - IP rating (IP): 65
 - Lumens (lm): Warm White 3000K - 300lm
White 5000K - 350lm
 - LED type: COB
 - CCT: 3000K - 5000K
 - CRI: ≥83
 - Beam angle (°): 60°
 - Dimmable: No
 - Lifespan (hrs): 50,000hrs
 - Cutout (∅): ∅77mm
 - Drive over: 2000kgs (19438, 19440)
- *12V DC Constant Voltage LED Driver required - Wire in Parallel*

Diagrams / Additional



Item No.	Variant	Colour
DEKA-BODY-WW	19458	Warm White
DEKA-BODY-W	19459	White

Aluminium Covers		Brass Covers	
Item No.	Variant	Item No.	Variant
DEKA-COVER-RND	19424	DEKA-COVER-RND	19438
DEKA-COVER-SQR	19426	DEKA-COVER-SQR	19440
DEKA-COVER-1-W	19428	DEKA-COVER-1-W	19442
DEKA-COVER-2-W	19430	DEKA-COVER-2-W	19444
DEKA-COVER-3-W	19432	DEKA-COVER-3-W	19446
DEKA-COVER-4-W	19434	DEKA-COVER-4-W	19448
DEKA-COVER-ELID	19436	DEKA-COVER-ELID	19450