

MURO-PRO-15S 15W Single Spotlight with Sensor



Description

Integrating LED technology with the traditional spotlight, the MURO-PRO-15S LED Spot Light provides an efficient and cost-effective solution for outdoor lighting. Constructed from die-cast aluminium, with a glass cover, and rated at IP44, the MURO-PRO-15S is capable of braving the elements while providing you with a consistent wash of LED light over your favourite outdoor areas. The MURO-PRO-15S also features a SENSOR, enabling detection and automatic power-up of this super bright LED spot light.

Now with TRIO, the added option of changing the colour temperature output of the spotlight with a dip switch at the back of the fitting.

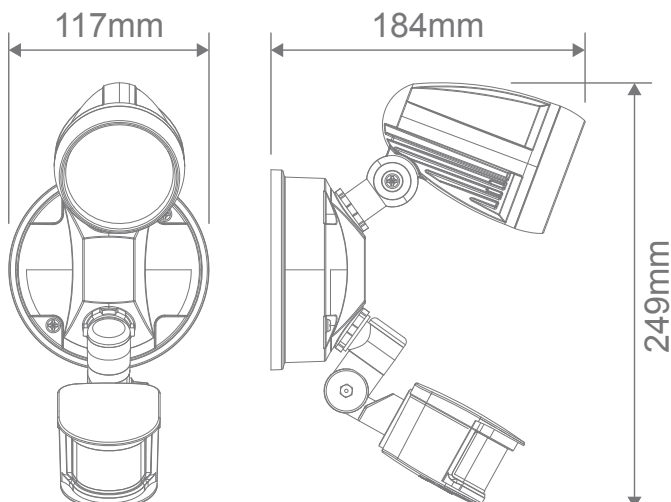
Specification Features

Input Voltage:	240V 50Hz
Power (W):	15W
IP rating (IP):	54
Lumens (lm):	Warm White 3000K - 950lm Neutral White 4000K - 1050lm White 5000K - 1000lm
LED type:	Bridgelux
CCT:	3000K - 4000K - 5000K (Switchable)
CRI:	≥80
Beam angle (°):	120°
Dimmable:	No
Lifespan (hrs):	30,000hrs
Detection Area:	180° angle, approx 12M
Duration:	Adjustable from 10±5 sec to 4±1 min
Lux Control Level:	Adjustable from Daylight to Night
Material:	Die-cast + Glass + ABS

Note: Install one fitting per switch to avoid sensor malfunction.



Diagrams / Additional



Item No.	Variant	Colour
MURO-PRO-15S	25056	Black
	25057	Dark Grey
	25058	White