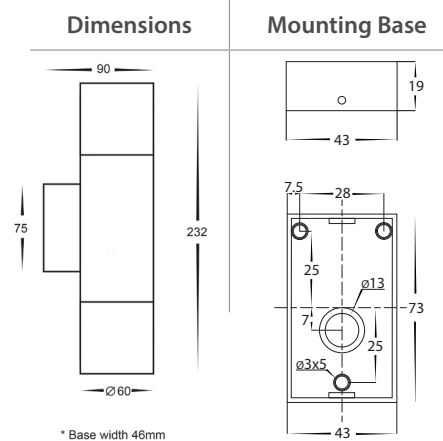


Piaz Stainless Steel Up & Down Wall Light

| | |
|--------------------------|--------------------------------------------------------------------------------------------------------------------------------------------------------------------------------------------------------------------------------------------------------------------------------------------------------------------------------------------------------------------------------------------------------------------------------------------------------------------|
| Name | Piaz |
| Material | High Grade 304 Stainless Steel |
| Colour | Stainless Steel |
| IP Rating | IP54 |
| Colour Temp | 3000k 4000k 5000k |
| IK Rating | IK10 |
| Installation Type | Wall - Surface Mounted |
| Diffuser Type | Clear Glass |
| Lamp Base | GU10 |
| Max Wattage | 2x 35w GU10 |
| Protection Class | 1 (Requires Earth) |
| Lamp Expectancy | <30,000hrs |
| CRI | CRI>80 |
| Dimmable | No - Not with supplied globes. |
| Warranty | 3 Years Replacement* |



Optional Havit Compatible Accessories

| Image | Number | Colour Temp | Input Voltage | Beam Angle | Included LED |
|-------|---------|--------------------------------------------------------------------------------------------------------------------------------------------------------------------------------------------------------------------------------------------------------------------------------------------------------------------------------------------------------------------------------------------------------------------------------------------------------------------|---------------|------------|-----------------------------------------|
| | HV9506D | 3000k 4000k 5000k | 240v AC | 60° | TRI Colour 3/5/7w GU10 LED |
| | HV9971 | Stainless Steel Maintenance Kit - Kit includes rejuvenating paste + Spray for final protection coating | | | |

Product Ordering

| Image | Part Number | Colour Temp | Lumens | Input Voltage | Beam Angle | Included LED | Barcode |
|-------|----------------|--------------------------------------------------------------------------------------------------------------------------------------------------------------------------------------------------------------------------------------------------------------------------------------------------------------------------------------------------------------------------------------------------------------------------------------------------------------------|----------------------------------|---------------|------------|----------------------------------------|---------------|
| | HV1071T | 3000k 4000k 5000k | 2x 270lm 2x 285lm 2x 300lm | 240v AC | 120° | TRI Colour 2x 5w GU10 LED | 9350418014979 |

