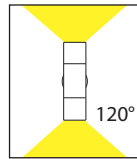
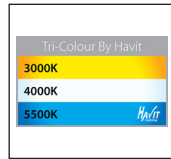


Fortis Stainless Steel Up & Down Wall Light



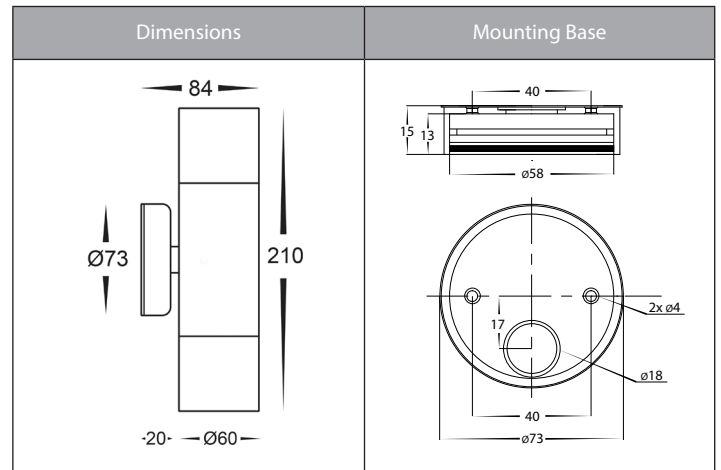
Product Specifications

Name	Fortis
Material	High Grade 304 Stainless Steel
Colour	Stainless Steel
IP Rating	IP54
Installation Type	Wall - Surface Mounted
Lamp Base	GU10
Protection Class	1 (Requires Earth)
Max Wattage	2x 35w GU10
Lamp Expectancy	<30,000hrs
Diffuser Type	Clear Glass
CRI	CRI>80
Dimmable	No - Not with supplied globes, See below for optional dimmable globes
IK Rating	IK10
Warranty	3 Years Replacement*



Optional Havit Compatible Accessories

Image	Part Number	Colour Temp	Input Voltage	Beam Angle	Included LED
	HV9506D	3000k 4000k 5500k	240v AC	60°	TRI Colour 3/5/7w GU10 LED
	HV9971	Stainless Steel Maintenance Kit - Kit includes rejuvenating paste + Spray for final protection coating			



Product Ordering

Part Number	Colour Temp	Lumens	Input Voltage	Beam Angle	Included LED	Barcode
HV1072T	3000k 4000k 5500k	2x 270lm 2x 285lm 2x 300lm	240v AC	120°	TRI Colour 2x 5w GU10 LED	9350418015006

*Items ordered after 01-01-2022