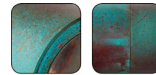
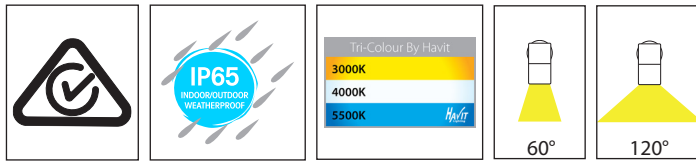


Tivah Solid Copper Fixed Down Wall Lights



Product Specifications

Name	Tivah
Material	Solid Copper
Colour	Copper - Will age over time
IP Rating	IP65
Installation Type	Wall - Surface Mounted
Lamp Base	Either GU10 or MR16
Protection Class	240v = 1 (Requires Earth)
	12v DC = 3 (No Earth Required)
Max Wattage	35w GU10 20w MR16
Lamp Expectancy	>30,000hrs
Diffuser Type	Clear Glass
CRI	CRI>80
Dimmable	No - Not with supplied globes, See below for optional dimmable globes
IK Rating	IK10
Warranty	3 Years Replacement*

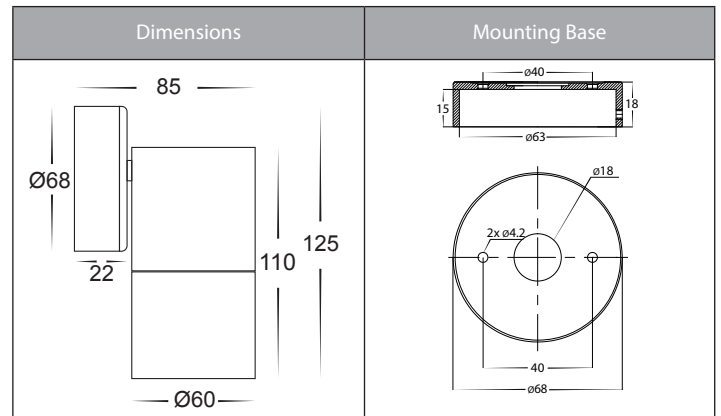


Weathered Copper

i Solid Brass and Solid Copper fittings will naturally tarnish. Solid brass fittings with additional coatings (Antique Brass & Graphite) may tarnish through the coating when installed in outdoor environments

Optional Havit Compatible Accessories

Image	Part Number	Colour Temp	Input Voltage	Beam Angle	Included LED
	HV9506D	3000k 4000k 5500k	240v AC	60°	TRI Colour 3/5/7w GU10 LED
	12v DC LED Drivers	See Catalogue or Website for full range of 12v DC LED Drivers			



Product Ordering

Part Number	Colour Temp	Lumens	Input Voltage	Beam Angle	Included LED	Barcode
HV1115T	3000k 4000k 5500k	240-560lm 255-595lm 270-630lm	240v AC	60°	TRI Colour 3/5/7w GU10 LED	9350418015099
HV1117GU10T	3000k 4000k 5500k	270lm 285lm 300lm	240v AC	120°	TRI Colour 5w GU10 LED	9350418015105
HV1117MR16T	3000k 4000k 5500k	270lm 285lm 300lm	12v DC	120°	TRI Colour 5w MR16 LED	9350418015112

*Items ordered after 01-01-2022

