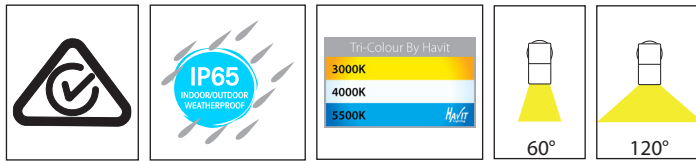


Tivah Aluminium White Fixed Down Wall Lights



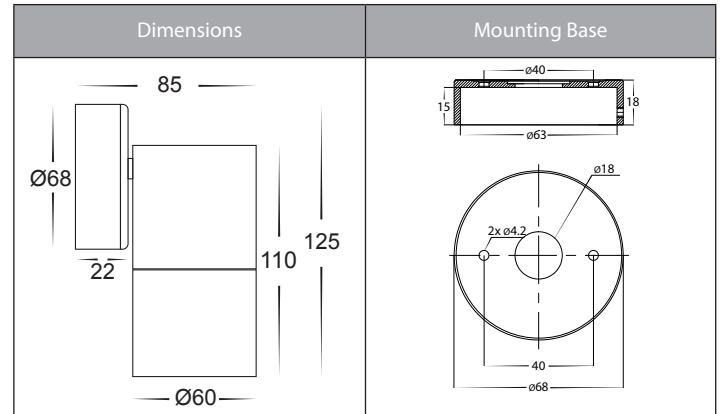
Product Specifications

| | |
|-------------------|--|
| Name | Tivah |
| Material | Aluminium |
| Colour | Poly Powder Coated White |
| IP Rating | IP65 |
| Installation Type | Wall - Surface Mounted |
| Lamp Base | Either GU10 or MR16 |
| Protection Class | 240v = 1 (Requires Earth) |
| | 12v DC = 3 (No Earth Required) |
| Max Wattage | 35w GU10 20w MR16 |
| Lamp Expectancy | >30,000hrs |
| Diffuser Type | Clear Glass |
| CRI | CRI>80 |
| Dimmable | No - Not with supplied globes, See below for optional dimmable globes |
| IK Rating | IK10 |
| Warranty | 3 Years Replacement* |



Optional Havit Compatible Accessories

| Image | Part Number | Colour Temp | Input Voltage | Beam Angle | Included LED |
|-------|--------------------|---|---------------|------------|---|
| | HV9506D | 3000k 4000k 5500k | 240v AC | 60° | TRI Colour 3/5/7w GU10 LED |
| | 12v DC LED Drivers | See Catalogue or Website for full range of 12v DC LED Drivers | | | |



Product Ordering

| Part Number | Colour Temp | Lumens | Input Voltage | Beam Angle | Included LED | Barcode |
|--------------------|-------------------------|-------------------------------------|---------------|------------|--------------------------------------|---------------|
| HV1135T | 3000k 4000k 5500k | 240-560lm 255-595lm 270-630lm | 240v AC | 60° | TRI Colour 3/5/7w GU10 LED | 9350418015150 |
| HV1137GU10T | 3000k 4000k 5500k | 270lm 285lm 300lm | 240v AC | 120° | TRI Colour 5w GU10 LED | 9350418015167 |
| HV1137MR16T | 3000k 4000k 5500k | 270lm 285lm 300lm | 12v DC | 120° | TRI Colour 5w MR16 LED | 9350418015174 |

*Items ordered after 01-01-2022

