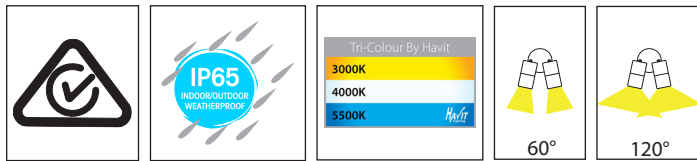


Tivah 316 Stainless Steel Double Adjustable Spot Lights



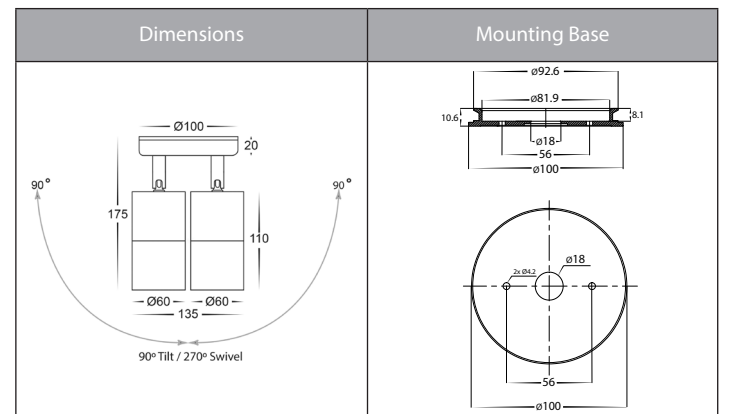
Product Specifications

| | |
|-------------------|--|
| Name | Tivah |
| Material | 316 Stainless Steel |
| Colour | Stainless Steel |
| IP Rating | IP65 |
| Installation Type | Wall or Ceiling - Surface Mounted |
| Lamp Base | Either GU10 or MR16 |
| Protection Class | 240v = 1 (Requires Earth) |
| | 12v DC = 3 (No Earth Required) |
| Max Wattage | 2x 35w GU10 2x 20w MR16 |
| Lamp Expectancy | <30,000hrs |
| Diffuser Type | Clear Glass |
| CRI | CRI>80 |
| Dimmable | No - Not with supplied globes, See below for optional dimmable globes |
| IK Rating | IK10 |
| Warranty | 3 Years Replacement* |



Optional Havit Compatible Accessories

| Image | Part Number | Colour Temp | Input Voltage | Beam Angle | Included LED |
|-------|-----------------------|--|---------------|------------|---|
| | HV9506D | 3000k 4000k 5500k | 240v AC | 60° | TRI Colour 3/5/7w GU10 LED |
| | HV9971 | Stainless Steel Maintenance Kit - Kit includes rejuvenating paste + Spray for final protection coating | | | |
| | 12v DC LED Drivers | See Catalogue or Website for full range of 12v DC LED Drivers | | | |



Product Ordering

| Part Number | Colour Temp | Lumens | Input Voltage | Beam Angle | Included LED | Barcode |
|--------------------|-------------------------|--|---------------|------------|---|---------------|
| HV1305T | 3000k 4000k 5500k | 2x 240-560lm 2x 255-595lm 2x 270-630lm | 240v AC | 60° | TRI Colour 2x 3/5/7w GU10 LED | 9350418015488 |
| HV1307GU10T | 3000k 4000k 5500k | 2x 270lm 2x 285lm 2x 300lm | 240v AC | 120° | TRI Colour 2x 5w GU10 LED | 9350418015495 |
| HV1307MR16T | 3000k 4000k 5500k | 2x 270lm 2x 285lm 2x 300lm | 12v DC | 120° | TRI Colour 2x 5w MR16 LED | 9350418015501 |

*Items ordered after 01-01-2022

