

**HPISWL120**  
**HPISWL140**  
**HPISWL163**  
**HPISWL220**  
**HPISWL235**  
**HPISWL263**  
**HPISWL320**  
**HPISWL335**  
**HPISWL363**  
**HPISWL420**  
**HPISWL435**  
**HPISWL463**

\*See current catalogue for further detail

## Page 1 of 2



Example of internal 1-pole switch



Example of internal 2-pole switch



Example of internal 3-pole switch



Example of internal 4-pole switch

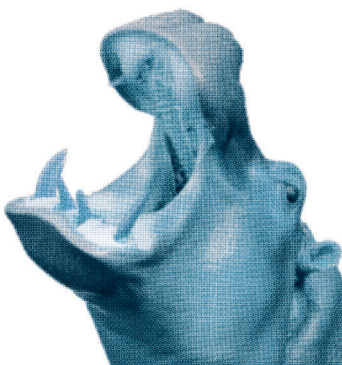
### Cleaning Guide:

Spraying cleaning products on to electrical products is not recommended.

It is important to ensure that switches are turned off before cleaning.

Do not use any cleaning sprays - only wipe down with damp cloth or rub with dry cloth. (Do not use an abrasive cloth as it may scratch the plastic).

Do not use harsh chemical cleaners as these can break down the plastic and cause it to crack.

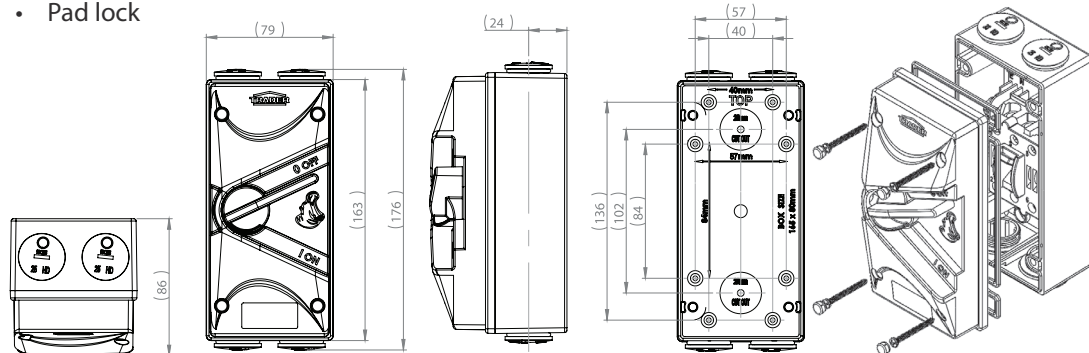


## Hippo Range Isolators - Page 1 of 2

- Hippo Isolators are tested to AS/NZS3133 and AS/NZS IEC60947-3.
- The Hippo larger enclosures feature twin 25mm threaded entries both top and bottom.
- The internal isolator switch modules are base mounted to provide a stable platform for wiring. Examples of the inner modules are pictured below.
- More detail for switches can be seen in the table on following page.
- Packaging lid features cutting template for easy marking out.
- UV stabilised
- Colour: Grey. Also available in Black, please check availability.

### The switches feature:

- Combination head terminal screws
- Combination head earth and neutral terminal screws
- Alignment sleeves on switch housing guides screwdriver into terminal screws, reduces screwdriver tips jumping out.
- Terminal bores have plenty of space for wiring (see table for sizes)
- Pad lock



Catalogue Number	Description
HPISWL120	Weatherproof Isolator IP66 20A 250V 1 Pole Large
HPISWL140	Weatherproof Isolator IP66 40A 250V 1 Pole Large
HPISWL163	Weatherproof Isolator IP66 63A 250V 1 Pole Large
HPISWL235	Weatherproof Isolator IP66 20A 440V 2 Pole Large
HPISWL240	Weatherproof Isolator IP66 35A 440V 2 Pole Large
HPISWL263	Weatherproof Isolator IP66 63A 440V 2 Pole Large
HPISWL320	Weatherproof Isolator IP66 20A 440V 3 Pole Large
HPISWL335	Weatherproof Isolator IP66 35A 440V 3 Pole Large
HPISWL363	Weatherproof Isolator IP66 63A 440V 3 Pole Large
HPISWL420	Weatherproof Isolator IP66 20A 440V 4 Pole Large
HPISWL435	Weatherproof Isolator IP66 35A 440V 4 Pole Large
HPISWL463	Weatherproof Isolator IP66 63A 440V 4 Pole Large

**When ordering BLACK product add "BK" at end of catalogue number, ie HPISW220BK**

### Certification Number:

HPISWL120, HPISWL220, HPISWL320, HPISWL420: GMA-516768-EA  
HPISWL140, HPISWL163, HPISWL235, HPISWL263, HPISWL335,  
HPISWL363, HPISWL435, HPISWL463: GMA-516781

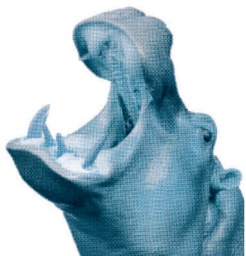
### GSM Electrical (Australia) Pty Ltd

Level 2, 142-144 Fullarton Road, Rose Park SA 5067  
P: 1300 301 838 F: 1300 301 778 E: service@gsme.com.au  
[www.gsme.com.au](http://www.gsme.com.au)



## Hippo Range Isolators - Page 2 of 2

Ratings to IEC60947-3/AS 60947-3 and AS/NZS 3133												
TYPE	1 POLE SWITCH DISCONNECTOR			2 POLE SWITCH DISCONNECTOR			3POLE SWITCH DISCONNECTOR			4 POLE SWITCH DISCONNECTOR		
Model Number (Check catalogue for availability) HPISWL***	120	140	163	220	235	263	320	335	363	420	435	463
Rated Operational Voltage Ue (50Hz)	250V			440V			440V			440V		
Rated Insulation Voltage Ui (~50Hz)	690V											
Rated Thermal Current Ith	20A	40A	63A	20A	35A	63A	20A	35A	63A	20A	35A	63A
Rated Short Time Withstand Icw (20Ie)	400A/1s	800A/1s	1.26kA/1s	400A/1s	700A/1s	1.26kA/1s	400A/1s	700A/1s	1.26kA/1s	400A/1s	700A/1s	1.26kA/1s
Rated impulse withstand voltage Uimp (kV)	4.0kV											
Rated short circuit making capacity Icm (28.4Ie)	568A	1.136kA	1.789kA	568A	994A	1.789kA	568A	994A	1.789kA	568A	994A	1.789kA
Motor Rating in accordance with AS/NZS3133	568A	1.136kA	1.789kA	568A	994A	1.789kA	568A	994A	1.789kA	568A	994A	1.789kA
Motor Rating in accordance with AS/NZS3133	M180											
AC21A (Ue:250V~) (Ie=(A))	20A	40A	63A	-	-	-	-	-	-	-	-	-
(Ue:440V~) (Ie=(A))	-	-	-	20A	35A	63A	20A	35A	63A	20A	35A	63A
Operational Power (Pe) (kW)	4.2kW	8.5kW	13.4kW	13.0kW	22.7kW	41.0kW	13.0kW	22.7kW	41.0kW	13.0kW	22.7kW	41.0kW
(HP)	5.7HP	11.4HP	18.0HP	17.4HP	30.5HP	54.9HP	17.4HP	30.5HP	54.9HP	17.4HP	30.5HP	54.9HP
AC22A (Ue:250V~) (Ie=(A))	20A	40A	63A	-	-	-	-	-	-	-	-	-
(Ue:440V~) (Ie=(A))	-	-	-	20A	35A	63A	20A	35A	63A	20A	35A	63A
Operational Power (Pe) (kW)	3.6kW	7.2kW	11.3kW	10.9kW	19.1kW	34.5kW	10.9kW	19.1kW	34.5kW	10.9kW	19.1kW	34.5kW
(HP)	4.8HP	9.6HP	15.2HP	14.7HP	25.7HP	46.2HP	14.7HP	25.7HP	46.2HP	14.7HP	25.7HP	46.2HP
AC23A (Ue:250V~) (Ie=(A))	20A	40A	63A	-	-	-	-	-	-	-	-	-
(Ue:440V~) (Ie=(A))	-	-	-	20A	35A	63A	20A	35A	63A	20A	35A	63A
Operational Power (Pe) (kW)	2.9kW	5.8kW	9.2kW	8.9kW	15.5kW	28.0kW	8.9kW	15.5kW	28.0kW	8.9kW	15.5kW	28.0kW
(HP)	3.9HP	7.8HP	12.3HP	11.9HP	20.9HP	37.6HP	11.9HP	20.9HP	37.6HP	11.9HP	20.9HP	37.6HP
Rated Duty	Uninterrupted											
IP Rating	IP66											
Terminal torque - Recommended (Nm)	2.5Nm											
Minimum Conductor size (mm <sup>2</sup> )	2.5	10	16	2.5	10	16	2.5	10	16	2.5	10	16
Maximum Conductor size (mm <sup>2</sup> )	25	25	25	25	25	25	25	25	25	25	25	25
Cover screw torque - Recommended (Nm)	0.6Nm											
Earth/Neutral Terminal torque - Recommended (Nm)	2.0Nm											
Terminal bore (Diameter and cross section)	7.6mm suits 25mm <sup>2</sup>											
Terminal bore box mounted Earth/Neutral (Diameter and cross section)	6.3mm suits 16mm <sup>2</sup>											
Pollution degree	2											
Lock-off padlock size	8.0MM Padlock staple											



**Certification Number:**

HPISWL120, HPISWL220, HPISWL320, HPISWL420: GMA-516768-EA  
 HPISWL140, HPISWL163, HPISWL235, HPISWL263, HPISWL335,  
 HPISWL363, HPISWL435, HPISWL463: GMA-516781

**GSM Electrical (Australia) Pty Ltd**

Level 2, 142-144 Fullarton Road, Rose Park SA 5067

P: 1300 301 838 F: 1300 301 778 E: service@gsme.com.au

[www.gsme.com.au](http://www.gsme.com.au)

