

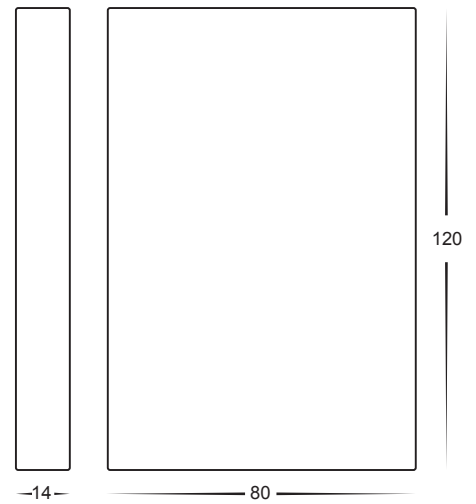
Stylerz Wall Light Installation Instructions



Product Specifications

Model No.	HV3289T-SS316-12V	HV3289T-AB-12V	HV3289T-BLK-12V	HV3289T-BR-12V	HV3289T-GPH-12V	HV3289T-WHT-12V
Name	Stylerz					
Material	316 Stainless Steel	Solid Brass	Solid Brass	Solid Brass	Solid Brass	Solid Brass
Colour	Stainless Steel	Antique Brass	Black	Brass	Graphite	White
IP Rating	IP65					
IK Rating	IK10					
Installation Type	Wall - Surface Mounted					
Input Voltage	12v DC - Constant Voltage					
Protection Class	3 (Low Voltage - no earth required) ⚡					
Lamp Base	Built in LED					
Lamp Wattage	2x 3w					
Colour Temp	Tri Colour - 3000k, 4000k, 5500k					
Lumens	2x 240lm, 2x 245lm, 2x 250lm					
CRI	> 80					
Wiring	Parallel					
Dimmable	Yes					
Warranty	3 Years Replacement*					

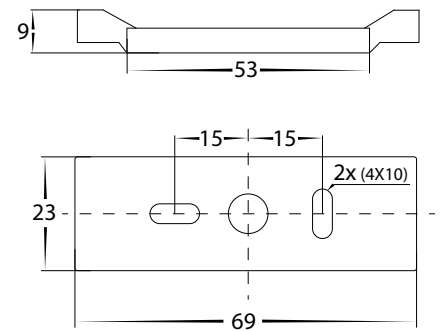
Dimensions



Important Safety Issues:

- This product must be installed by a qualified electrician according to AS/NZS 3000.
- Ensure all electrical mains are disconnected before any installation.
- Modification of this product will void any warranty.
- Havit Lighting does not take responsibility for wrong installation, incorrect use, or use of installation material that does not belong to the system.
- When installing low voltage fittings, Voltage to fitting must be within +or- 5% of voltage required and cannot be installed more than 25m from LED Driver, if not within this allowance warranty will be voided.
- When installing brass fittings, gloves must be worn to avoid any oils transferring to fitting.
- All 316 stainless steel fittings must have regular cleaning maintenance to avoid any tea staining from forming on fitting. (Warranty does not cover Tea Staining)
- Aluminium, 304SS, Powder Coated Brass/316SS fittings must not be installed within 5km of any salt water environments including pools.
- All o-rings and seals must be in place correctly to maintain warranty.
- These instructions may be updated at any time due to product improvements, Please visit website for most current installation instructions.

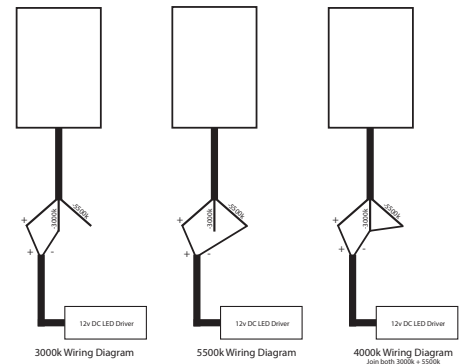
Mounting Bracket Dimensions



Steps for Installation:

1. Make sure that the electrical circuit is free of voltage (master switch off)
2. Remove base plate from fitting by loosening allen screws on side of fitting.
3. Install mounting bracket in desired location using appropriate screws for application.
4. Using an appropriate 12v DC Constant Voltage LED Driver - DO NOT CONNECT LIGHT FITTING DIRECTLY TO 240V
5. Connect the cable - If more than one fitting installed, wiring must be done in parallel.
6. Strip back the cable on both fitting and cable run and twist the positive cables together.
7. Neutral cables are marked for selection of colour temperature. If 3000k or 5500k is selected you must terminate extra cable to be IP Rated to avoid any water making contact with internal parts of cable. To get 4000k, Join both 3000k + 5500k together and connect to neutral on cable run.
8. Solder all joins using solder and either a heat gun or butane gas torch.
9. Cover connections using an adhesive lined heat shrink or gel cap to make connection watertight. Failure to do this will void warranty.
10. Heat the heat shrink or crimp the gel cap making sure all connections are covered.
11. Reattach fitting to base plate making sure allen screws are tight to avoid water penetration
12. If installed outdoors apply silicon around edge of fitting to prevent any water from getting inside to electrical connections.
13. All connections must be carried out carefully, inspect all contacts before switching back on the electric circuit.

Wiring Diagram



Must be installed by a licensed electrician

Contact Details:

143 Beauchamp Road
 Matraville NSW 2036
 Australia
 Tel: 02 9381 8300
 Fax: 02 9666 8881
 Email: sales@havit.com.au
 Web: www.havit.com.au

Warranty Terms & Conditions*



Additional Information

