

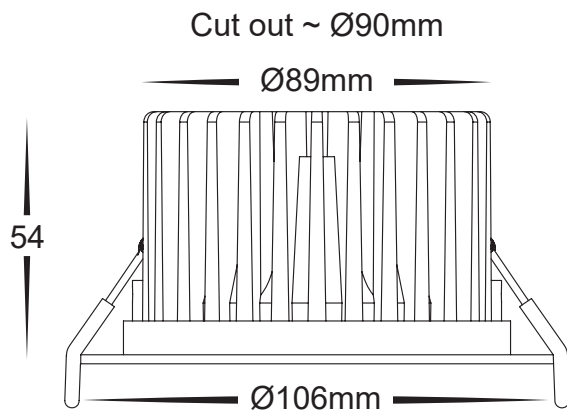
Ora Recessed LED Downlight Installation Instructions



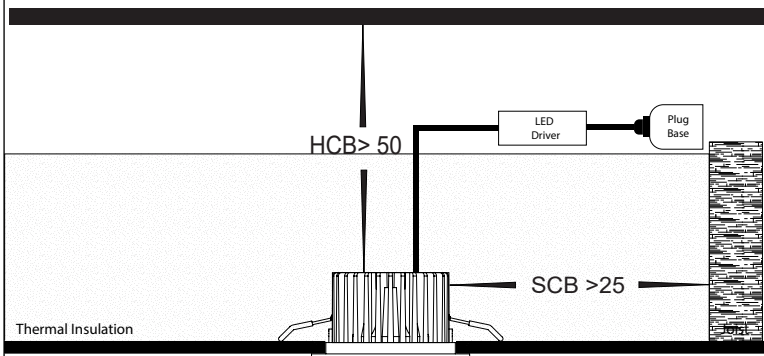
Product Specifications

Model No.	HV5530S-SS316
Name	Ora
Material	316 Stainless Steel face + Aluminium Body
Colour	Stainless Steel
Installation Type	Ceiling - Recessed
Cut Out	Ø90mm
IC Rating	IC-4 (Fitting Only - Driver cannot be installed under insulation)
IP Rating	IP54 - Front of fitting only
Input Voltage	240v AC - Separate Driver with Flex & plug
Protection Class	2 (No Earth Required)
Lamp Base	Built in LED
Lamp Wattage	1x 12w
Colour Temp	5 Colour - 2700k, 3000k, 4000k, 5000k, 5700k
Lumens	980lm, 990lm, 1000lm
CRI	> 80
Dimmable	Yes - Triac Dimmable
Warranty	3 Years Replacement*

Dimensions:



Installation Diagram:



Important Safety Issues:

- This product must be installed by a qualified electrician according to AS/NZS 3000.
- Ensure all electrical mains are disconnected before any installation.
- Modification of this product will void any warranty.
- Havit Lighting does not take responsibility for wrong installation, incorrect use, or use of installation material that does not belong to the system.
- All 316 stainless steel fittings must have regular cleaning maintenance to avoid any tea staining from forming on fitting. (Warranty does not cover Tea Staining)
- Only LED Fitting can be installed under insulation, LED Driver must not be covered to allow for ventilation.
- This fixture must not be installed with loose fill insulation such as macerated paper and wool. LED driver must be mounted above any insulation covering the fixture.
- These instructions may be updated at any time due to product improvements. Please visit website for most current installation instructions.

Steps for Installation:

1. Make sure that the electrical circuit is free of voltage (master switch off)
2. Cut out hole using dimensions in table above making sure each hole is not under joists or pipes.
3. Fitting is provided with flex and plug, Plug cable into plug base installed earlier.
4. Fitting is preset to 3000k, to change slide switch to desired colour temperature.
5. Pull back springs on fitting and insert into hole.
6. Once fitting is in hole, release clips onto back of ceiling, These springs will hold fitting in place.
7. All connections must be carried out carefully, inspect all contacts before switching back on the electric circuit.
8. If a dimmer is being used, Refer to dimmer instructions for connection method.

Must be installed by a licensed electrician

Contact Details:

143 Beauchamp Road
Matraville NSW 2036
Australia

Tel: 02 9381 8300
Fax: 02 9666 8881
Email: sales@havit.com.au
Web: www.havit.com.au

Warranty Terms & Conditions*



Additional Information

