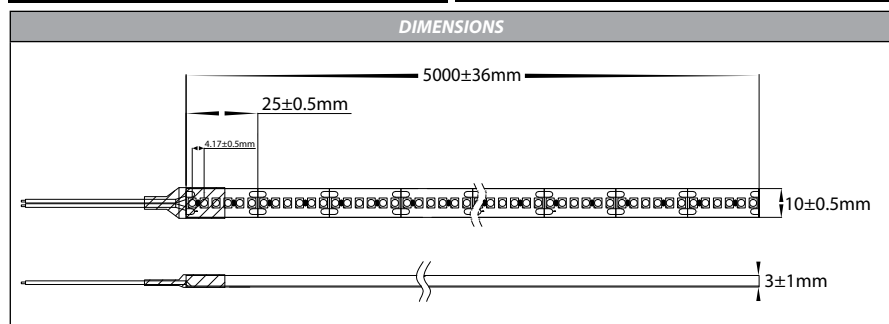


# 19.2w IP54 24v DC 240LED LED Strip

## Product Specifications

Watts Per Metre	19.2w
Input Voltage	24v DC
Colour Temp	3000K   4000K   5500K
Beam Angle	120°
IP Rating	IP54
Size	10mm (W) x 3mm (H)
PCB	3oz
CRI	>80
Lamp Expectancy	>50000hrs
Wiring	Parallel
Dimmable	Yes
LED Chip Type	3528
No. Chips Per Metre	240
Maximum Length	5000mm
Cutting Increments	25mm
Mounting	Aluminium Profile or Heat Sink
Operating Temperature	0 - + 60° Celcius
Ambient Temperature	-20° - + 50° Celcius
Warranty	3 Years Replacement*



COMPATIBLE CONTROLLERS			
Touch Panels	Remote Controllers	Zigbee	RF + WIFI
 HV9101-E1    HV9101-EX15  HV9103-F4-5A	 HV9102-M1+M4-5A    HV9102-Q1  HV9103-F4-5A	 HV9101-ZB-SCTP    HV9102-ZB-SCREM  HV9105-ZB-5C	 HV9101-2830A    HV9102-2819DIM  HV9105-1009-5C

## Product Ordering - Per Metre

Image	Part Number	Colour Temp	Lumens	Barcode
	<b>HV9723-IP54-240-3K-1</b>	3000k	1560lm	9350418024077
	<b>HV9723-IP54-240-4K-1</b>	4000k	1640lm	9350418024282
	<b>HV9723-IP54-240-5K-1</b>	5500k	1720lm	9350418024497

## Product Ordering - 10m Reels

Image	Part Number	Colour Temp	Lumens	Barcode
	<b>HV9723-IP54-240-3K-1-10M</b>	3000k	1560lm	9350418030900
	<b>HV9723-IP54-240-4K-1-10M</b>	4000k	1640lm	9350418030917
	<b>HV9723-IP54-240-5K-1-10M</b>	5500k	1720lm	9350418030924

\*Ordered after 01-01-2022

For More Information Contact Havit Lighting

143 Beauchamp Road  
Matraville NSW 2036  
Australia

Tel: 02 9381 8300  
Fax: 02 9666 8881  
Email: sales@havit.com.au  
Web: www.havit.com.au



Warranty Terms & Conditions



www.havit.com.au