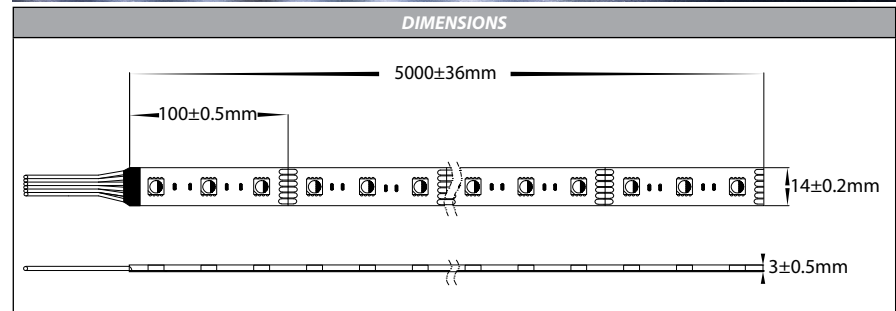
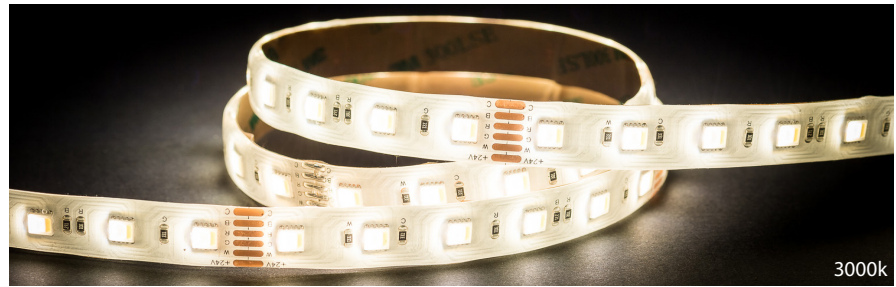


24w IP54 24v DC 60LED RGBCW LED Strip



Product Specifications

Watts Per Metre	24w
Input Voltage	24v DC
Colour Temp	RGBCW
Beam Angle	120°
IP Rating	IP54
Size	14mm (W) x 3mm (H)
PCB	3oz
CRI	>80
Lamp Expectancy	>50000hrs
Wiring	Parallel
Dimmable	Yes
LED Chip Type	5050
No. Chips Per Metre	60
Maximum Cut Length	5000mm
Cutting Increments	100mm
Mounting	Aluminium Profile or Heat Sink
Operating Temperature	0 - + 60° Celcius
Ambient Temperature	-20° - + 50° Celcius
Warranty	3 Years Replacement*



COMPATIBLE CONTROLLERS			
Touch Panels	Remote Controllers	Zigbee	RF + WIFI
 HV9101-E55 HV9101-EX55 HV9103-F5-DMX-4A	 HV9102-Q5 HV9103-F5-DMX-4A	 HV9105-ZB-5C	 HV9102-2858Z4 HV9105-1009-5C

Product Ordering - Per Metre

Image	Part Number	Colour Temp	Lumens	Barcode
	HV9752-IP54-60-RGBCW	RGBCW (RGB + 5500K + 3000K)	500lm	9350418026200

Product Ordering - 10M Reel

Image	Part Number	Colour Temp	Lumens	Barcode
	HV9752-IP54-60-RGBCW-10M	RGBCW (RGB + 5500K + 3000K)	500lm	9350418031761

*Ordered after 01-01-2022

For More Information Contact Havit Lighting

143 Beauchamp Road
Matraville NSW 2036
Australia

Tel: 02 9381 8300
Fax: 02 9666 8881
Email: sales@havit.com.au
Web: www.havit.com.au



Warranty Terms & Conditions



www.havit.com.au