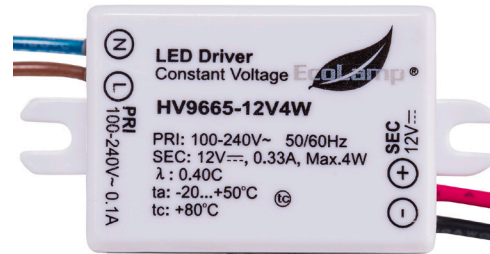


# 4w IP65

## Weatherproof LED Driver

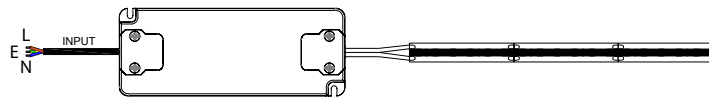
Material	Plastic
Colour	White
IP Rating	IP65
Input Voltage	240v AC
Output Voltage	Available in either 12v DC or 24v DC
Max Wattage	4w (Recommended Max Wattage = 3w)
Protection Class	2 (No Earth Required)
Wiring	Parallel
Protections	Short Circuit, Overload, Over Temperature
Dimmable	No
Warranty	3 Years Replacement



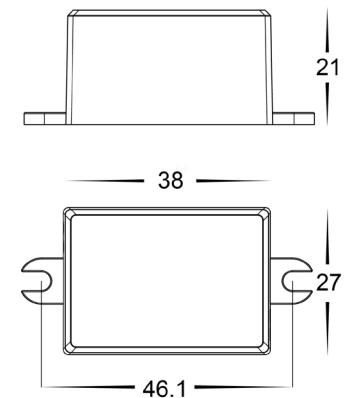
## Product Ordering

Part Number	Output Voltage	Barcode
HV9665-12V4W	12v DC Constant Voltage	9350418014160
HV9665-24V4W	24v DC Constant Voltage	9350418002853

### Sample Installation Diagram

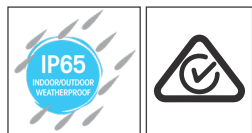
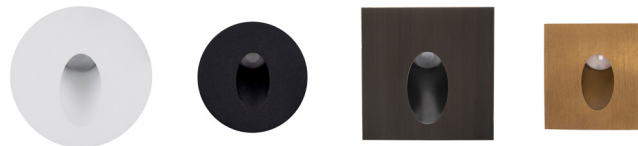


### Dimensions



### Compatible with

All Low Voltage Light Fittings & LED Strip



Website



Warranty  
Terms & Conditions

		<b>HV9665-12V4W</b>	<b>HV9665-24V4W</b>
<b>Output</b>	DC Voltage	12v DC	24v DC
	Voltage Tolerance	± 0.5V	± 0.5V
	Rated Current	1.67A	0.83A
	Rated Power	4W	
	Line Regulation	± 1V	
	No. Output Cables	± 2V	
	Set up time	2000ms, 50ms(at full load) 110V AC / 230V AC	
	Holding time (Typ.)	15ms(at full load) 110V AC / 230V AC	
	Ripple and Noise(max)	120mVp-p	240mVp-p
	Load Regulation	± 2%	
<b>Input</b>	Voltage range Note 2	220~240V AC	
	Frequency Range	47 - 63Hz	
	Power Factor (TYP) @ Full Load	PF ≥ 0.97 / 230V (at full load)	
	Efficiency(Typ.)@ Full Load	80%	82%
	AC Current (Max)	0.5A / 230V AC	
	Inrush Current (TYP)	30A, 50%, 90us	
	Leakage Current	<0.5mA / 240V AC	
<b>Protections</b>	Short Circuit	Hiccup mode, Recover automatically after fault condition is removed	
	Overload	≤ 120% shut down o/p voltage, re-power on to recover after fault condition is removed	
	Over Temperature	100°C ± 10°C shut down o/p voltage, re-power on to recover	
<b>Environment</b>	Working Temp.	Ta: -40°C ~ +60°C	
	Working Humidity	20%~90% RH, non-condensing	
	Storage TEMP. Humidity	-40°C ~+80°C, 10%~95% RH	
	TEMP. Coefficient	± 0.03%/°c (0-50°c)	
	Vibration	10~500Hz, 2G 12min./ 1 Cycle, Period for 72min, each along X,Y,Z axes	
<b>Safety &amp; EMC</b>	Safety Standards	Compliance to EN61347-1, EN61347-2-13, AS/NZS61347-1, IP66 waterproof rating.	
	Isolation Resistance	I/P-O/P, I/P-FG, O/P-FG: 100Mohms/500Vdc 25°C /70%RH	
	EMC Emission	Compliance to AS/NZS CISPR15	
	EMC Immunity	Compliance to AS/NZS CISPR15	

