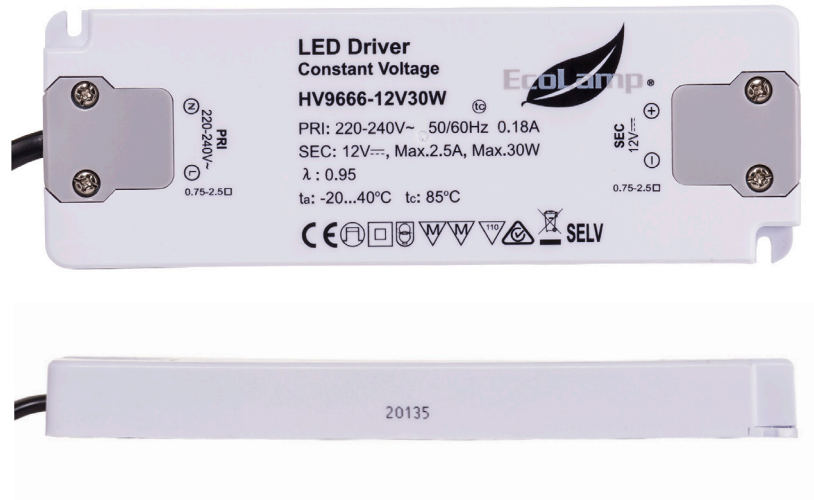


30w IP20

Indoor LED Strip Driver

Material	Plastic
Colour	White
IP Rating	IP20
Input Voltage	240v AC
Output Voltage	Available in either 12v DC or 24v DC
Max Wattage	30w (Recommended Max Wattage = 24w)
Protection Class	2 (No Earth Required)
Wiring	Parallel
Protections	Short Circuit, Overload, Over Temperature
Dimmable	No
Warranty	3 Years Replacement



Product Ordering

Part Number	Output Voltage	Barcode
HV9666-12V30W	12v DC Constant Voltage	9350418014191
HV9666-24V30W	24v DC Constant Voltage	9350418014207



Website



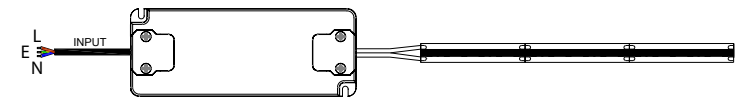
Warranty
Terms & Conditions

Compatible with

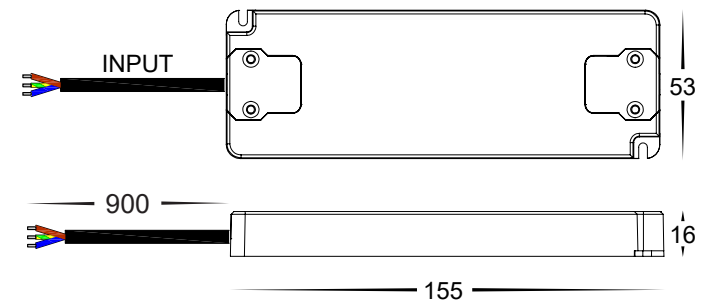
Single Colour LED Strip



Sample Installation Diagram



Dimensions



		HV9666-12V30W	HV9666-24V30W
Output	DC Voltage	12v DC	24v DC
	Voltage Tolerance	± 0.5V	± 0.5V
	Rated Current	2.5A	1.25A
	Rated Power	30W	
	Line Regulation	± 1V	
	No. Output Cables	0	
	Set up time	2000ms, 50ms(at full load) 110V AC / 230V AC	
	Holding time (Typ.)	15ms(at full load) 110V AC / 230V AC	
	Ripple and Noise(max)	120mVp-p	240mVp-p
	Load Regulation	± 2%	
Input	Voltage range Note 2	220~240V AC	
	Frequency Range	47 - 63Hz	
	Power Factor (TYP) @ Full Load	PF ≥ 0.95 / 230V (at full load)	
	Efficiency(Typ.)@ Full Load	88%	89%
	AC Current (Max)	0.20A / 230V AC	
	Inrush Current (TYP)	50A, 50%, 176us	
	Leakage Current	<0.5mA / 240V AC	
Protections	Short Circuit	Hiccup mode, Recover automatically after fault condition is removed	
	Overload	≤ 120% shut down o/p voltage, re-power on to recover after fault condition is removed	
	Over Temperature	100°C ± 10°C shut down o/p voltage, re-power on to recover	
Environment	Working Temp.	Ta: -40°C ~ +60°C	
	Working Humidity	20%~90% RH, non-condensing	
	Storage TEMP. Humidity	-40°C ~+80°C, 10%~95% RH	
	TEMP. Coefficient	± 0.03%/°c (0-50°c)	
	Vibration	10~500Hz, 2G 12min./ 1 Cycle, Period for 72min, each along X,Y,Z axes	
Safety & EMC	Safety Standards	Compliance to EN61347-1, EN61347-2-13, AS/NZS61347-1, IP66 waterproof rating.	
	Isolation Resistance	I/P-O/P, I/P-FG, O/P-FG: 100Mohms/500Vdc 25°C /70%RH	
	EMC Emission	Compliance to AS/NZS CISPR15	
	EMC Immunity	Compliance to AS/NZS CISPR15	

