

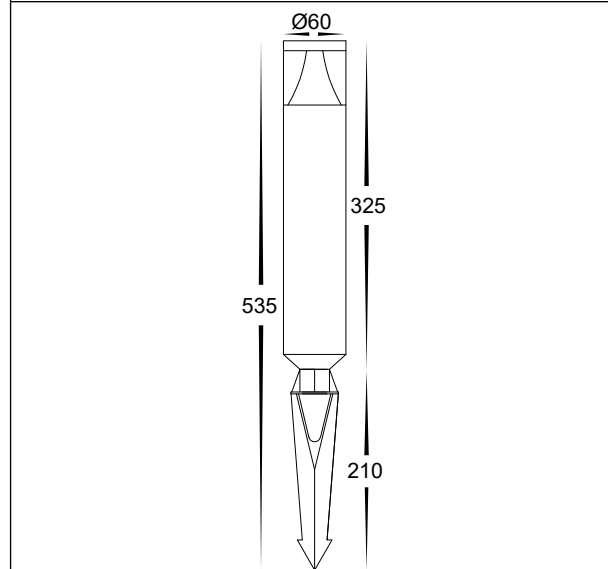
Divad Garden Spike Light Installation Instructions



Product Specifications

Model No.	HV1488T-BLK
Name	Divad
Material	Aluminium
Colour	Black
Installation Type	Ground - Spike
IP Rating	IP65
Input Voltage	12v DC
Protection Type	3 (Low Voltage - No Earth Required) 
Lamp Base	Built in LED
Lamp Wattage	1x 5w
Colour Temp	TRI Colour - 3000k, 4000k, 5500k
Lumens	300lm, 320lm, 310lm
CRI	> 80
Wiring	Parallel
Dimmable	No
Warranty	3 Years Replacement*

Dimensions



Important Safety Issues:

- This product must be installed by a qualified electrician according to AS/NZS 3000.
- Ensure all electrical mains are disconnected before any installation.
- Modification of this product will void any warranty.
- Havit Lighting does not take responsibility for wrong installation, incorrect use, or use of installation material that does not belong to the system.
- All electrical connections must be watertight, if a watertight connection is not done, Warranty will be voided.
- When installing low voltage fittings, Voltage to fitting must be within +or- 5% of voltage required and cannot be installed more than 25m from LED Driver, if not within this allowance warranty will be voided.
- Aluminium and 304SS fittings must not be installed within 5km of any salt water environments.
- All o-rings and seals must be in place correctly to maintain warranty.
- These instructions may be updated at any time due to product improvements, Please visit website for most current installation instructions.

Steps for Installation:

1. Make sure that the electrical circuit is free of voltage (master switch off)
2. Place fitting in desired location
3. Using an appropriate 12v DC LED Driver - DO NOT CONNECT LIGHT FITTING DIRECTLY TO 240V
4. Connecting the cable - If more than one fitting installed, wiring must be done in parallel.
5. Strip back the cable on both fitting and cable run and twist the positive cables together.
6. Then connect neutral cables together, Neutral cables are marked for selection of colour temperature. If 3000k or 5500k is selected you must terminate extra cable to be IP Rated to avoid any water making contact with internal parts of cable. To get 4000k, Join both 3000k + 5500k together and connect to neutral on cable run.
7. Solder all joins using solder with either a heat gun or butane gas torch.
8. Cover connections using an adhesive lined heat shrink or gel cap to make connection watertight. (Failure to do this step will void warranty)
9. Heat the heat shrink or crimp the gel cap making sure all connections are covered.
10. All connections must be carried out carefully, inspect all contacts before switching back on the electric circuit.

Must be installed by a licensed electrician

Contact Details:

143 Beauchamp Road
Matrville NSW 2036
Australia

Tel: 02 9381 8300
Fax: 02 9666 8881
Email: sales@havit.com.au
Web: www.havit.com.au

Warranty Terms & Conditions*



www.havit.com.au

