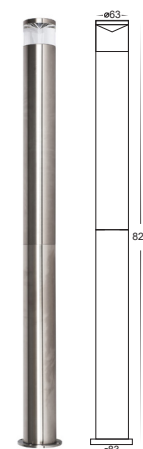
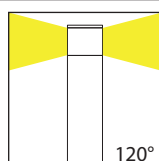
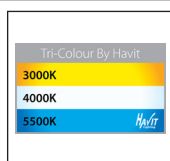


Highlite 316 Stainless Steel Bollard Lights



Product Specifications

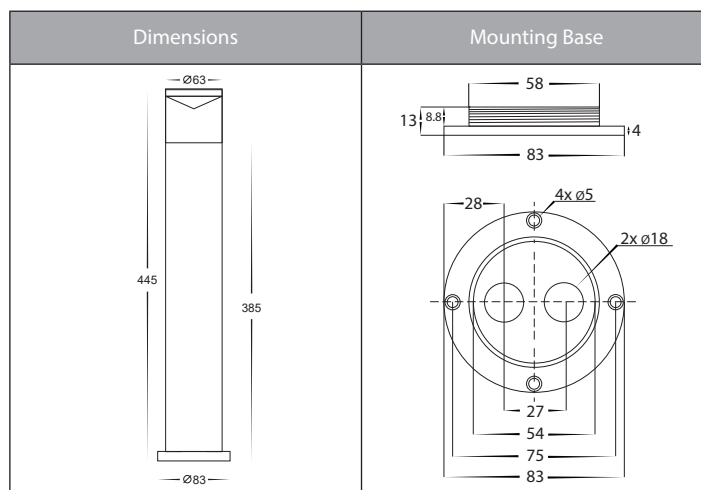
Name	Highlite
Material	316 Stainless Steel
Colour	Stainless Steel
IP Rating	IP54
Installation Type	Ground - Surface Mounted
Lamp Base	GU10 or MR16
Max Wattage	10w - Must be used with LED Globes only
Protection Class	240v = 1 (Requires Earth) 12v DC = 3 (No Earth Required)
Lamp Expectancy	<30,000hrs
Diffuser Type	Clear Perspex
Cable Length	2000mm
CRI	CRI>80
Dimmable	No - Not with supplied globes, See below for GU10 dimmable options
IK Rating	IK09
Warranty	3 Years Replacement*



Shown with HV1603-SS316

Optional Havit Compatible Accessories

Image	Part Number	Colour Temp	Input Voltage	Beam Angle	Included LED
	HV9506D	3000k 4000k 5500k	240v AC	60°	TRI Colour 3/5/7w GU10 LED
	HV9507	3000k 4000k 5500k	12v DC	60°	TRI Colour 3/5/7w MR16 LED
	HV9508		24v DC		
	12v DC LED Drivers	See Catalogue or Website for full range of 12v DC LED Drivers			
	HV1607	Optional spike for installation into ground.			
	HV9911	Small IP67 Weatherproof Connector			
	HV9912	Medium IP67 Weatherproof Connector			
	HV9913	Large IP67 Weatherproof Connector			



Product Ordering

Image	Part Number	Colour Temp	Lumens	Input Voltage	Beam Angle	Included LED	Barcode
	HV1601T-SS316	3000k 4000k 5500k	270lm 285lm 300lm	240v AC	120°	TRI Colour 5w GU10 LED	9350418016003
	HV1602T-SS316	3000k 4000k 5500k	270lm 285lm 300lm	12v DC	120°	TRI Colour 5w MR16 LED	9350418016041
	HV1603-SS316	Extension piece to make fittings taller - 2x extensions can be used					9350418000200

*Items ordered after 01-01-2022

