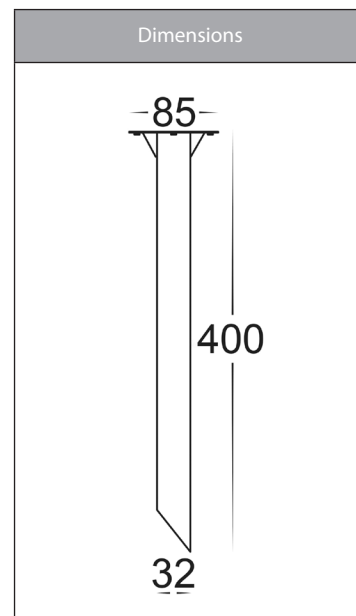


Spike to Suit Bollards



Product Specifications

Name	Spike
Material	316 Stainless Steel
Colour	Stainless Steel
IP Rating	IP20
Installation Type	Ground
Warranty	3 Years Replacement*



Optional Havit Compatible Fittings

Image	Part Number	Input Voltage
	HV1507T-BLK-12V HV1507T-SS316-12V	12V DC
	HV1602T-AB HV1602T-BLK HV1602T-TTM HV1602T-SS316 HV1602T-WHT	12V DC
	HV1605T-BLK-12V HV1606T-BLK-12V HV1608T-BLK-12V HV1605T-SS316-12V HV1606T-SS316-12V HV1608T-SS316-12V	12V DC
	HV1615T-BLK-12V HV1616T-BLK-12V HV1618T-BLK-12V HV1615T-SS316-12V HV1616T-SS316-12V HV1618T-SS316-12V	12V DC
	HV1622T-BLK-12V	12V DC

Image	Part Number	Input Voltage
	HV1625T-BLK-24V HV1626T-BLK-24V	24V DC
	HV1628T-BLK-24V-RND HV1629T-BLK-24V-RND HV1628T-BLK-24V-SQ HV1629T-BLK-24V-SQ	24V DC
	HV1630T-BLK-24V-RND HV1631T-BLK-24V-RND HV1630T-BLK-24V-SQ HV1631T-BLK-24V-SQ	24V DC
	HV1632T-BLK-24V-RND HV1633T-BLK-24V-RND	24V DC
	HV1638T-BLK-24V HV1639T-BLK-24V	24V DC

Product Ordering

Part Number	Description	Barcode
HV1607	Spike to suit Bollards to allow for installation in soil.	9350418011305

*Items ordered after 01-01-2022

