

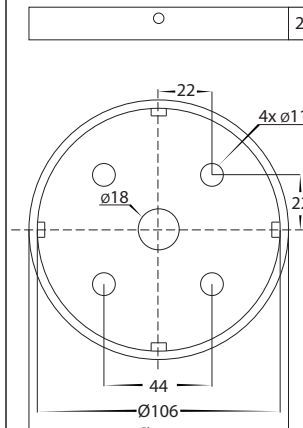
# Divad Bollard Light Installation Instructions



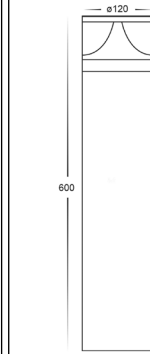
## Product Specifications

Model No.	HV1628T-BLK-240V-RND	HV1629T-BLK-240V-RND	HV1628T-BLK-24V-RND	HV1629T-BLK-24V-RND
Name	Divad			
Material	Aluminium			
Colour	Black			
IP Rating	IP65			
Input Voltage	240v AC		24V DC	
Protection Class	Ⓧ (Requires Earth)		Ⓛ (Low Voltage)	
Lamp Base	Built in LED			
Lamp Wattage	1x 12w			
Colour Temp	TRI Colour - 3000k, 4000k, 5500k			
Lumens	960lm, 1020lm, 1080lm			
CRI	> 80			
Wiring	Parallel			
Dimmable	No			
Warranty	3 Years Replacement*			

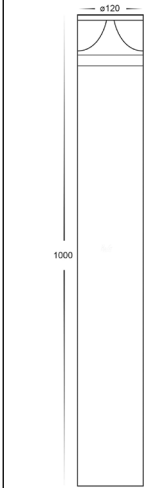
## Mounting Base



## HV1628 Dimensions



## HV1629 Dimensions



## Important Safety Issues:

- This product must be installed by a qualified electrician according to AS/NZS 3000.
- Ensure all electrical mains are disconnected before any installation.
- Modification of this product will void any warranty.
- Havit Lighting does not take responsibility for wrong installation, incorrect use, or use of installation material that does not belong to the system.
- When installing low voltage fittings, Voltage to fitting must be within +or- 5% of voltage required, if not within this allowance warranty will be voided.
- Aluminium and 304SS fittings must not be installed within 5km of any salt water environments.
- All o-rings and seals must be in place correctly to maintain warranty
- When installing surface mounted bollards, base plate must be installed on concrete or concrete pad, Fitting should not be installed under ground level, all holes including cable entry must be siliconed to prevent any water penetration into fitting, silicone must also be applied around fitting at ground level. Failure to do this will void warranty
- This form may be updated at any time due to product improvements, please check online installation form for most current version.

## Steps for Installation: HV1628T-BLK-240V + HV1629T-BLK-240V

1. Make sure that the electrical circuit is free of voltage (master switch off).
2. Remove baseplate from fitting by removing 4x allens screws on side of fitting and set aside.
3. Install baseplate in desired location using appropriate screws for application. The screws supplied are mild steel which must be replaced with higher grade if there is any chance of them being affected by water. The location of baseplate must be installed on either concrete or concrete base and cannot be installed under ground level.
4. Seal all holes in the base plate including cable entry and screw holes.
5. Locate IP rated junction box within fitting. Undo screws from junction box and remove cover.
6. Insert cable through cable gland on junction box. If your cable is not circular you must fix entry of your cable to maintain IP rating. Failure to do so will void warranty.
7. Connect the cable using wire with earth. Connect earth first, then live and neutral wires.
8. Reattach cover to IP rated junction box making sure screws are tight and seals are still in place.
9. Affix the bollard to the baseplate by reattaching the 4 allen screws removed earlier making sure these are tight to reduce any movement in bollard.
10. Colour temperature is set to 3000K. To change, remove top from fitting by loosening allen screws on side of fitting. Select desired colour temperature by moving switch located on bottom of top.
11. Attach cover by tightening allen screws making sure the seals are still in place to avoid any water penetration.
12. All connections must be carried out carefully, inspect all contacts before switching back on the electric circuit.

## Steps for Installation: HV1628T-BLK-24V + HV1629T-BLK-24V

1. Make sure that the electrical circuit is free of voltage (master switch off).
2. Remove baseplate from fitting by removing 4x allens screws on side of fitting and set aside.
3. Install baseplate in desired location using appropriate screws for application. The screws supplied are mild steel which must be replaced with higher grade if there is any chance of them being affected by water. The location of baseplate must be installed on either concrete or concrete base and cannot be installed under ground level.
4. Seal all holes in the base plate including cable entry and screw holes.
5. Locate IP rated junction box within fitting. Undo screws from junction box and remove cover.
6. Insert cable through cable gland on junction box. If your cable is not circular you must fix entry of your cable to maintain IP rating. Failure to do so will void warranty.
7. Use an appropriate 24v DC LED Driver - DO NOT CONNECT LIGHT FITTING DIRECT TO 240V
8. Connect the cable, Connect live then neutral wires.
9. Reattach cover to IP rated junction box making sure screws are tight and seals are still in place.
10. Affix the bollard to the baseplate by reattaching the 4 allen screws removed earlier making sure these are tight to reduce any movement in bollard.
11. Colour temperature is set to 3000K. To change, remove top from fitting by loosening allen screws on side of fitting. Select desired colour temperature by moving switch located on bottom of top.
12. Attach cover by tightening allen screws making sure the seals are still in place to avoid any water penetration.
13. All connections must be carried out carefully, inspect all contacts before switching back on the electric circuit.

## Must be installed by a licensed electrician

### Contact Details:

143 Beauchamp Road  
Matraville NSW 2036  
Australia

Tel: 02 9381 8300  
Fax: 02 9666 8881  
Email: sales@havit.com.au  
Web: www.havit.com.au

### Warranty Terms & Conditions\*



### Additional Information

