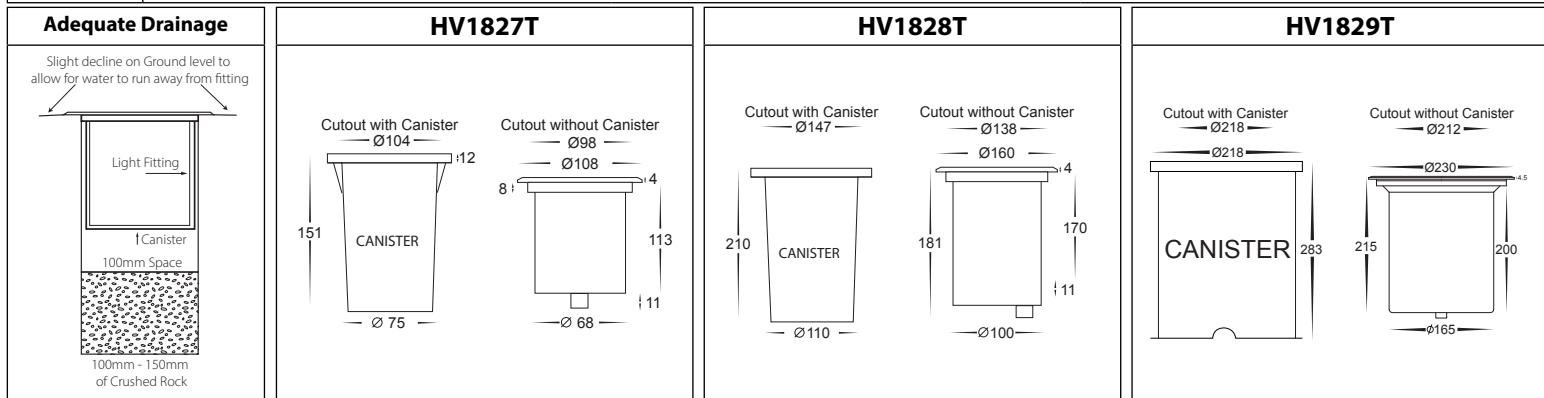


Toldo Inground Light Installation Instructions



Product Specifications

Model No.	HV1827T	HV1828T	HV1829T
Name	Toldo		
Material	316 Stainless Steel cover + Aluminium body		
Colour	Cover - Stainless Steel Body - Black		
Trafficable	Yes - 1000kg		
Installation Type	Ground - Recessed		
IP Rating	IP67		
IK Rating	IK10	IK10	IK10
Input Voltage	12v DC Constant Voltage - External Power Supply Required	12v DC Constant Voltage - External Power Supply Required	24v DC Constant Voltage - External Power Supply Required
Protection Class	3 (Low Voltage - No Earth Required) ⚡	3 (Low Voltage - No Earth Required) ⚡	3 (Low Voltage - No Earth Required) ⚡
Lamp Base	Built In LED		
Lamp Wattage	1x 3w	1x 5w	1x 20w
Colour Temp	Tri Colour- 3000k, 4000k, 5500k		
Lumens	270lm, 285lm, 300lm	450lm, 475lm, 500lm	1600lm, 1700lm, 1800lm
CRI	> 80		
Wiring	Parallel		
Dimmable	No		
Warranty	3 Years Replacement*		



Important Safety Issues:

- This product must be installed by a qualified electrician according to AS/NZS 3000.
- Ensure all electrical mains are disconnected before any installation.
- Modification of this product will void any warranty.
- Havit Lighting does not take responsibility for wrong installation, incorrect use, or use of installation material that does not belong to the system.
- When installing low voltage fittings, Voltage to fitting must be within +or- 5% of voltage required, if not within this allowance warranty will be voided.
- Aluminium and 304SS fittings must not be installed within 5km of any salt water environments.
- All 316 stainless steel fittings must have regular cleaning maintenance to avoid any tea staining from forming on fitting. (Warranty does not cover Tea Staining)
- All o-rings and seals must be in place correctly to maintain warranty
- When installing inground light fittings, Adequate drainage must be allowed to prevent fittings from sitting in water for a long period of time, if no drainage is allowed, Warranty will be voided. (See sample adequate drainage diagram for correct installation method.)
- This form may be updated at any time due to product improvements, please check online installation form for most current version.

Steps for Installation:

1. Make sure that the electrical circuit is free of voltage (master switch off)
2. Make a hole where fitting is to be placed using dimensions provided on line drawings, making sure adequate drainage is allowed.
3. Insert canister, and ensure that the top is level with ground or floor. Failure to do so will void warranty.
4. Using an appropriate 12v DC Constant Voltage LED Driver (24v DC Driver for HV1829 Models) - DO NOT CONNECT LIGHT FITTING DIRECTLY TO 240V
5. Connect the cable - If more than one fitting installed, wiring must be done in parallel.
6. Strip back the cable on both fitting and cable run and twist the positive cables together. Then connect neutral cables together
7. Solder all joins using solder and either a heat gun or butane gas torch.
8. Cover connections using an adhesive lined heat shrink or gel cap to make connection watertight. Failure to do this will void warranty.
9. Heat the heat shrink or crimp the gel cap making sure all connections are covered.
10. To adjust tilt, remove nuts on back of fitting and set aside, Remove cover and glass.
11. Adjust fitting to desired angle by pushing gently on either side until you reach desired angle.
12. Reinsert glass and cover.
13. Reattach the 4x nuts and tighten making sure the seals are still in place and screws are tight to avoid any water penetration.
14. Colour Temperature is set to 3000k, To adjust remove cap on bottom of fitting and set aside, Slide switch to desired colour and reattach cap making sure its tight
15. Tighten cable gland on bottom of fitting before inserting fitting into canister
16. Insert fitting into canister. Apply silicon around edge of fitting to prevent any water from getting inside to electrical connections.
17. All connections must be carried out carefully, inspect all contacts before switching back on the electric circuit.

Must be installed by a licensed electrician

Contact Details:

143 Beauchamp Road
Matraville NSW 2036
Australia

Tel: 02 9381 8300
Fax: 02 9666 8881
Email: sales@havit.com.au
Web: www.havit.com.au

Warranty Terms & Conditions*



Additional Information

