

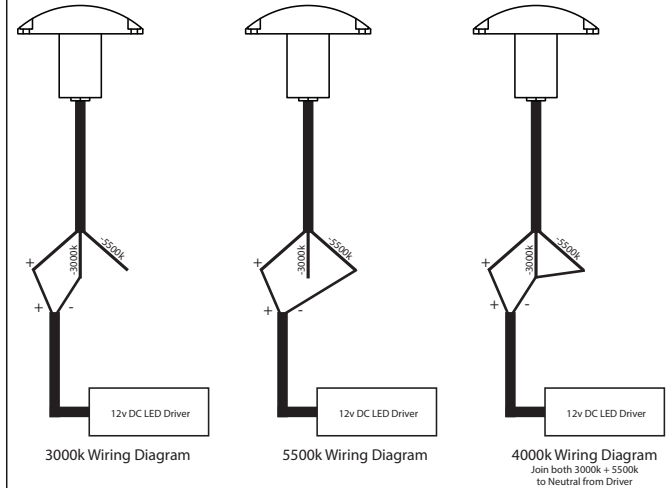
Dome Deck Light Installation Instructions



Product Specifications

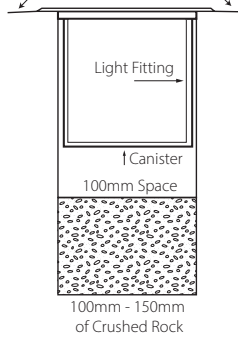
Model No.	HV2871T-BLK-12V	HV2871T-SLV-12V	HV2872T-BLK-12V	HV2872T-SLV-12V
Name	Dome		Dome	
Material	Aluminium Cover + PC Body		Aluminium Cover + PC Body	
Colour	Black	Silver	Black	Silver
IP Rating	IP65		IP65	
Installation Type	Ground or Wall - Recessed		Ground or Wall - Recessed	
Input Voltage	12v DC		12v DC	
Protection Class	3 (Low Voltage) ⚡		3 (Low Voltage) ⚡	
Lamp Base	Built in LED		Built in LED	
Protection Class	(Low Voltage)		(Low Voltage)	
Lamp Wattage	1x 3w		2x 3w	
Colour Temp	Tri Colour - 3000k, 4000k, 5500k		Tri Colour - 3000k, 4000k, 5500k	
Lumens	180lm, 185lm, 190lm		2x 180lm, 2x 185lm, 2x 190lm	
CRI	> 80		> 80	
Wiring	Parallel		Parallel	
Dimmable	No		No	
Warranty	3 Years Replacement*		3 Years Replacement*	

Sample Wiring Diagram

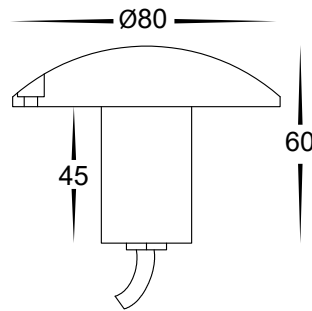


Adequate Drainage Diagram

Slight decline on Ground level to allow for water to run away from fitting

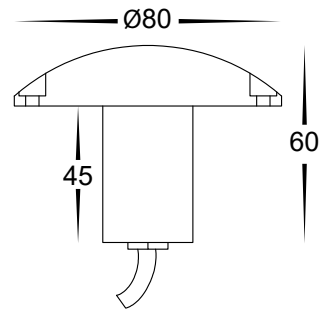


HV2871T Dimensions



Cutout : Ø28

HV2872T Dimensions



Cutout : Ø28

Important Safety Issues:

- This product must be installed by a qualified electrician according to AS/NZS 3000.
- Ensure all electrical mains are disconnected before any installation.
- Modification of this product will void any warranty.
- Havit Lighting does not take responsibility for wrong installation, incorrect use, or use of installation material that does not belong to the system.
- When installing low voltage fittings, Voltage to fitting must be within +or- 5% of voltage required and cannot be installed more than 25m from LED Driver, if not within this allowance warranty will be voided.
- Aluminium and 304SS fittings must not be installed within 5km of any salt water environments.
- All o-rings and seals must be in place correctly to maintain warranty.
- These instructions may be updated at any time due to product improvements, Please visit website for most current installation instructions.

Steps for Installation:

1. Make sure that the electrical circuit is free of voltage (master switch off)
2. Make a hole where fitting is to be placed using dimensions provided on line drawings,
3. Use an appropriate 12v DC LED Driver - DO NOT CONNECT LIGHT FITTING DIRECT TO 240V
4. Connecting the cable - If more than one fitting installed, wiring must be done in parallel.
5. Strip back the cable on both fitting and cable run and twist the positive cables together.
6. Then connect neutral cables together, Neutral cables are marked for selection of colour temperature. If 3000k or 5500k is selected you must terminate extra cable to be IP Rated to avoid any water making contact with internal parts of cable. To get 4000k, Join both 3000k + 5500k together and connect to neutral on cable run.
7. Solder all joins using solder and either a heat gun or butane gas torch.
8. Cover connections using an adhesive lined heat shrink or gel cap to make connection watertight. Failure to do this will void warranty.
9. Heat the heat shrink or crimp the gel cap making sure all connections are covered.
10. Insert fitting into hole.
11. Apply silicon around edge of fitting to prevent any water from getting inside to electrical connections.
12. All connections must be carried out carefully, inspect all contacts before switching back on the electric circuit.

Must be installed by a licensed electrician

Contact Details:

143 Beauchamp Road
Matraville NSW 2036
Australia

Tel: 02 9381 8300
Fax: 02 9666 8881
Email: sales@havit.com.au
Web: www.havit.com.au

Warranty Terms & Conditions*



www.havit.com.au

