

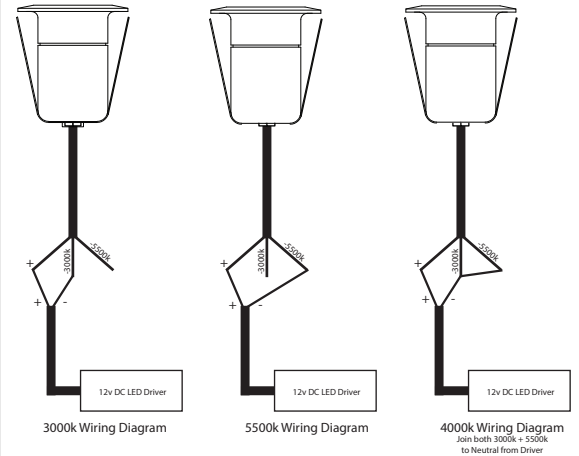
Elite Deck or Inground Light Installation Instructions



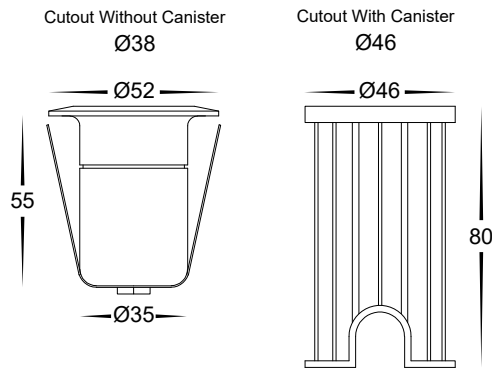
Product Specifications

Model No.	HV2881T-SLV-12V	HV2881T-BLK-12V	HV2882T-SLV-12V	HV2882T-BLK-12V
Name	Elite		Elite	
Material	Aluminium		Aluminium	
Colour	Silver	Black	Silver	Black
Installation Type	Ground - Recessed		Ground - Recessed	
IP Rating	IP65		IP65	
Input Voltage	12v DC Constant Voltage		12v DC Constant Voltage	
Protection Class	3 (Low Voltage - No Earth Required) ⚡		3 (Low Voltage - No Earth Required) ⚡	
Lamp Base	Built in LED		Built in LED	
Lamp Wattage	1x 3w		1x 5w	
Colour Temp	Tri Colour - 3000k, 4000k, 5500k		Tri Colour - 3000k, 4000k, 5500k	
Lumens	240lm, 250lm, 270lm		400lm, 420lm, 450lm	
CRI	> 80		> 80	
Wiring	Parallel		Parallel	
Dimmable	Yes - Triac		Yes - Triac	
Warranty	3 Years Replacement*		3 Years Replacement*	

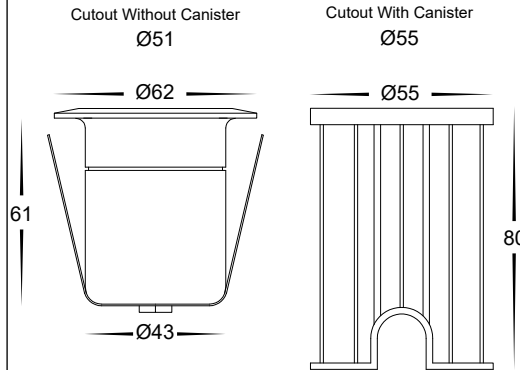
Sample Wiring Diagram



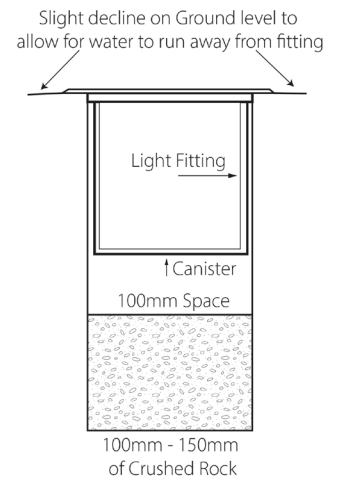
HV2881T Dimensions



HV2882T Dimensions



Sample Adequate Drainage Diagram



Important Safety Issues:

- This product must be installed by a qualified electrician according to AS/NZS 3000.
- Ensure all electrical mains are disconnected before any installation.
- Modification of this product will void any warranty.
- Havit Lighting does not take responsibility for wrong installation, incorrect use, or use of installation material that does not belong to the system.
- When installing low voltage fittings, Voltage to fitting must be within +or- 5% of voltage required and cannot be installed more than 25m from LED Driver, if not within this allowance warranty will be voided.
- Aluminium and 304SS fittings must not be installed within 5km of any salt water environments.
- All o-rings and seals must be in place correctly to maintain warranty.
- These instructions may be updated at any time due to product improvements, Please visit website for most current installation instructions.

Steps for Installation:

1. Make sure that the electrical circuit is free of voltage (master switch off)
2. Make a hole where fitting is to be placed using dimensions provided on line drawings, making sure adequate drainage is allowed.
3. Using an appropriate 12v DC LED Driver - DO NOT CONNECT LIGHT FITTING DIRECTLY TO 240V
4. If installing into concrete, insert canister making sure it is flush with ground level.
5. Connect the cable - If more than one fitting installed, wiring must be done in parallel.
6. Strip back the cable on both fitting and cable run and twist the positive cables together.
7. Then connect neutral cables together, Neutral cables are marked for selection of colour temperature. If 3000k or 5500k is selected you must terminate extra cable to be IP Rated to avoid any water making contact with internal parts of cable. To get 4000k, Join both 3000k + 5500k together and connect to neutral on cable run.
8. Solder all joins using solder and either a heat gun or butane gas torch.
9. Cover connections using an adhesive lined heat shrink or gel cap to make connection watertight. Failure to do this will void warranty.
10. Heat the heat shrink or crimp the gel cap making sure all connections are covered.
11. Insert fitting into hole or canister
12. Apply silicon around edge of fitting to prevent any water from getting inside to electrical connections.
13. All connections must be carried out carefully, inspect all contacts before switching back on the electric circuit.

Must be installed by a licensed electrician

Contact Details:

143 Beauchamp Road
Matraville NSW 2036
Australia
Tel: 02 9381 8300
Fax: 02 9666 8881
Email: sales@havit.com.au
Web: www.havit.com.au

Warranty Terms & Conditions*



www.havit.com.au

