

# Mini Olo Inground or Deck Light Installation Instructions

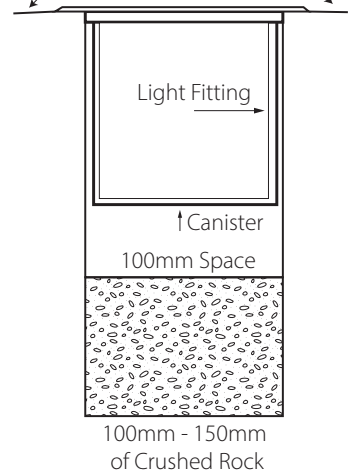


## Product Specifications

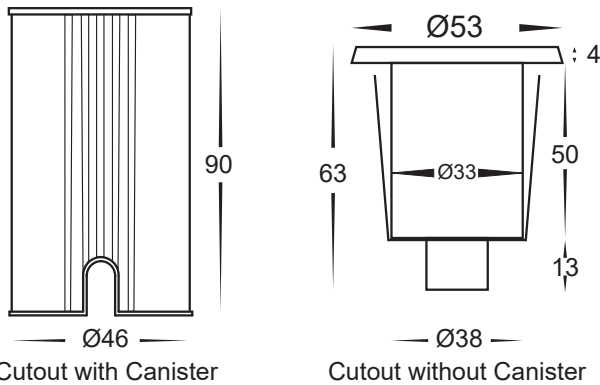
Model No.	HV2892T-SS316-12V	HV2892T-CP-12V	HV2892T-BLK-12V
Name	Mini Olo		
Material	316 Stainless Steel	Copper + 316 Stainless Steel	316 Stainless Steel
Colour	Stainless Steel	Copper Cover with Stainless Steel body	Black Cover with Stainless Steel body
IP Rating	IP67		
Installation Type	Ground or Wall - Recessed		
Input Voltage	12v DC - Constant Voltage		
Protection Class	3 (Low Voltage, No earth required) ⚡		
Lamp Base	Built in LED		
Lamp Wattage	1x 1w		
Colour Temp	Tri Colour - 3000k, 4000k, 5500k		
Lumens	80lm, 90lm, 85lm		
CRI	> 80		
Wiring	Parallel		
Dimmable	Yes		
Warranty	3 Years Replacement*		

## Adequate Drainage

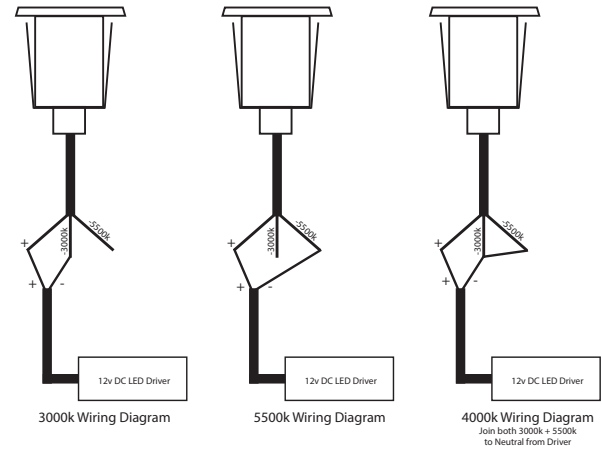
Slight decline on Ground level to allow for water to run away from fitting



## Dimensions



## Sample Wiring Diagram



## Important Safety Issues:

- This product must be installed by a qualified electrician according to AS/NZS 3000.
- Ensure all electrical mains are disconnected before any installation.
- Modification of this product will void any warranty.
- Havit Lighting does not take responsibility for wrong installation, incorrect use, or use of installation material that does not belong to the system.
- When installing low voltage fittings, Voltage to fitting must be within + or - 5% of voltage required and cannot be installed more than 25m from LED Driver, if not within this allowance warranty will be voided.
- Aluminium and 304SS fittings must not be installed within 5km of any salt water environments.
- All 316 stainless steel fittings must have regular cleaning maintenance to avoid any tea staining from forming on fitting. (Warranty does not cover Tea Staining)
- When installing copper fittings, gloves must be worn to avoid any oils transferring to fitting.
- All o-rings and seals must be in place correctly to maintain warranty.
- These instructions may be updated at any time due to product improvements, Please visit website for most current installation instructions.

## Steps for Installation:

1. Make sure that the electrical circuit is free of voltage (master switch off)
2. Make a hole where fitting is to be placed using dimensions provided on line drawings,
3. Using an appropriate 12v DC Constant Voltage LED Driver - DO NOT CONNECT LIGHT FITTING DIRECTLY TO 240V
4. If installing into concrete, insert canister making sure it is flush with wall or ground level.
5. Connect the cable - If more than one fitting installed, wiring must be done in parallel.
6. Strip back the cable on both fitting and cable run and twist the positive cables together.
7. Neutral cables are marked for selection of colour temperature. If 3000k or 5500k is selected you must terminate extra cable to be IP Rated to avoid any water making contact with internal parts of cable. To get 4000k, Join both 3000k + 5500k together and connect to neutral on cable run.
8. Solder all joins using solder and either a heat gun or butane gas torch.
9. Cover connections using an adhesive lined heat shrink or gel cap to make connection watertight. Failure to do this will void warranty.
10. Heat the heat shrink or crimp the gel cap making sure all connections are covered.
11. Insert fitting into hole or canister
12. Apply silicon around edge of fitting to prevent any water from getting inside to electrical connections.
13. All connections must be carried out carefully, inspect all contacts before switching back on the electric circuit.

**Must be installed by a licensed electrician**

## Contact Details:

143 Beauchamp Road  
Matraville NSW 2036  
Australia  
Tel: 02 9381 8300  
Fax: 02 9666 8881  
Email: sales@havit.com.au  
Web: www.havit.com.au

## Warranty Terms & Conditions\*



## Additional Information

