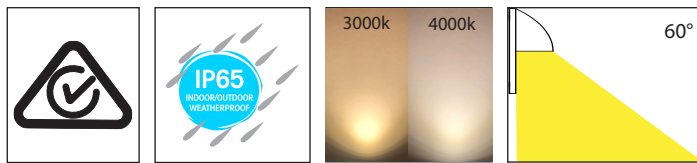


Lokk Recessed Wall Light with Eyelid



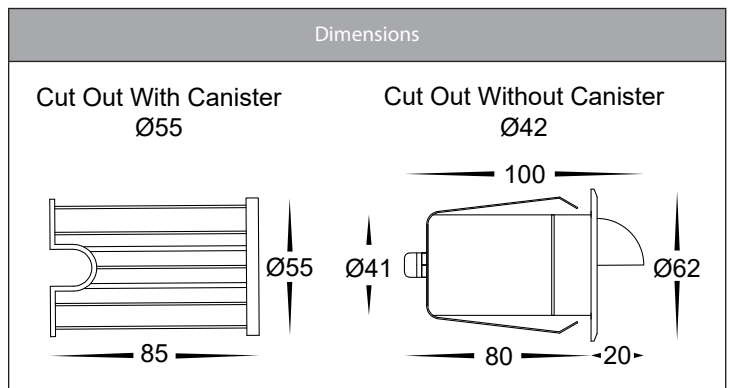
Product Specifications

| | |
|-------------------|--|
| Name | Lokk |
| Material | 316 Stainless Steel, Brass, Copper |
| Colour | Antique Brass, Black, Brass, Copper or Stainless Steel |
| IP Rating | IP65 |
| Installation Type | Wall - Recessed |
| Lamp Base | MR11 |
| Protection Class | 3 (No Earth Required) |
| Max Wattage | 20w MR11 |
| Lamp Expectancy | >30,000hrs |
| Diffuser Type | Clear Glass |
| CRI | CRI>80 |
| Dimmable | No - Not with supplied globes |
| IK Rating | IK10 |
| Warranty | 3 Years Replacement* |



Optional Havit Compatible Accessories

| Image | Part Number | Colour Temp | Input Voltage | Beam Angle | Included LED |
|-------|--------------------|--|---------------|------------|--------------|
| | HV9311C | 5500k | 12v DC | 60° | 3w MR11 LED |
| | HV9971 | Stainless Steel Maintenance Kit - Kit includes rejuvenating paste + Spray for final protection coating | | | |
| | 12v DC LED Drivers | See Catalogue or Website for full range of 12v DC LED Drivers | | | |



Product Ordering

| | Part Number | Colour Temp | Lumens | Input Voltage | Beam Angle | Included LED | Barcode |
|--|-----------------------|----------------|----------------|---------------|------------|--|---------------|
| | HV2899NW-AB | 3000k 4000k | 270lm 300lm | 12v DC | 60° | 3w 3000k MR11 LED 3w 4000k MR11 LED | 9350418035929 |
| | HV2899NW-BLK | 3000k 4000k | 270lm 300lm | 12v DC | 60° | 3w 3000k MR11 LED 3w 4000k MR11 LED | 9350418035295 |
| | HV2899NW-BR | 3000k 4000k | 270lm 300lm | 12v DC | 60° | 3w 3000k MR11 LED 3w 4000k MR11 LED | 9350418035301 |
| | HV2899NW-CP | 3000k 4000k | 270lm 300lm | 12v DC | 60° | 3w 3000k MR11 LED 3w 4000k MR11 LED | 9350418035318 |
| | HV2899NW-SS316 | 3000k 4000k | 270lm 300lm | 12v DC | 60° | 3w 3000k MR11 LED 3w 4000k MR11 LED | 9350418035288 |

*Items ordered after 01-01-2022

Havit Lighting
143 Beauchamp Road,
Matraville, N.S.W. 2036

Phone: 02 9381 8300
Email: sales@havit.com.au
Web: www.havit.com.au



Warranty Terms & Conditions



www.havit.com.au