

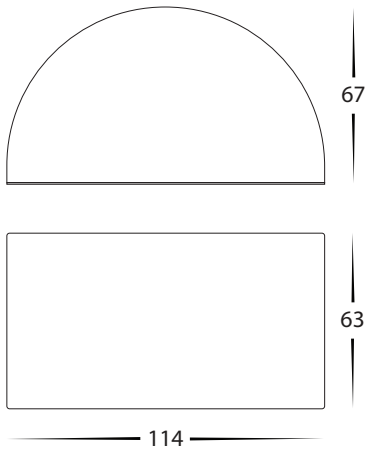
# Mood + Ridge Step Light Installation Instructions



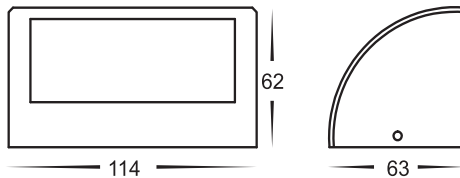
## Product Specifications

Model No.	HV3282T-SS316	HV3282T-BLK	HV3282T-WHT	HV3282T-BRZ	HV3282T-GPH	HV3283T-SS316	HV3283T-BLK	HV3283T-WHT	HV3283T-BRZ	HV3283T-GPH
Name	Mood					Ridge				
Material	316 Stainless Steel			Bronze	Solid Brass	316 Stainless Steel			Bronze	Solid Brass
Colour	Stainless Steel	Black	White	Bronze	Graphite	Stainless Steel	Black	White	Bronze	Graphite
IP Rating	IP54									
Input Voltage	12v DC									
Protection Class	⚡ (Low Voltage)									
Lamp Base	Built in LED									
Lamp Wattage	1x 6w					1x 6w				
Colour Temp	TRI Colour - 3000k, 4000k, 5500k					TRI Colour - 3000k, 4000k, 5500k				
Lumens	460lm, 490lm, 520lm					460lm, 490lm, 520lm				
CRI	> 80									
Wiring	Parallel									
Dimmable	No									
Warranty	3 Years Replacement*									

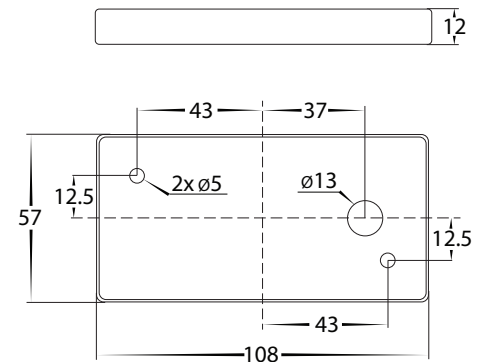
### HV3282 Dimensions



### HV3283 Dimensions



### Mounting Base Diagram



## Important Safety Issues:

- This product must be installed by a qualified electrician according to AS/NZS 3000.
- Ensure all electrical mains are disconnected before any installation.
- Modification of this product will void any warranty.
- Havit Lighting does not take responsibility for wrong installation, incorrect use, or use of installation material that does not belong to the system.
- When installing low voltage fittings, Voltage to fitting must be within + or- 5% of voltage required and cannot be installed more than 25m from LED Driver, if not within this allowance warranty will be voided.
- When installing brass fittings, gloves must be worn to avoid any oils transferring to fitting.
- All 316 stainless steel fittings must have regular cleaning maintenance to avoid any tea staining from forming on fitting. (Warranty does not cover Tea Staining)
- All o-rings and seals must be in place correctly to maintain warranty.
- These instructions may be updated at any time due to product improvements, Please visit website for most current installation instructions.

## Steps for Installation:

1. Make sure that the electrical circuit is free of voltage (master switch off)
2. Remove base plate from fitting by loosening allen screws on side of fitting and put fitting aside.
3. Using an appropriate 12v DC LED Driver - **DO NOT CONNECT LIGHT FITTING DIRECTLY TO 240V**
4. Connect the cable - If more than one fitting installed, wiring must be done in parallel.
5. Strip back the cable on both fitting and cable run and twist the positive cables together. Then connect neutral cables together
6. Solder all joins using solder and either a heat gun or butane gas torch.
7. Cover connections using an adhesive lined heat shrink or gel cap to make connection watertight. Failure to do this will void warranty.
8. Heat the heat shrink or crimp the gel cap making sure all connections are covered.
9. Install Base plate in desired location using appropriate screws.
10. Silicone cable entry and around screws to avoid water penetration.
11. Fitting is preset to 3000k, To change slide switch located on top of PCB to desired colour temperature.
12. Reattach fitting to base plate making sure allen screws are tight to avoid water penetration
13. Apply silicon around edge of fitting to prevent any water from getting inside to electrical connections.
14. All connections must be carried out carefully, inspect all contacts before switching back on the electric circuit.

## Must be installed by a licensed electrician

### Contact Details:

143 Beauchamp Road  
Matraville NSW 2036  
Australia  
Tel: 02 9381 8300  
Fax: 02 9666 8881  
Email: sales@havit.com.au  
Web: www.havit.com.au

### Warranty Terms & Conditions\*



### Additional Information

