

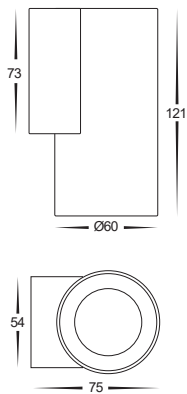
Aries Wall Light Installation Instructions



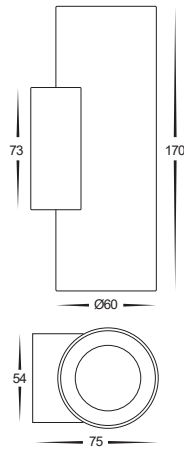
Product Specifications

Model No.	HV3625S-ALUBLK	HV3625S-ALUWHT	HV3625S-BR	HV3626S-ALUBLK	HV3626S-ALUWHT	HV3626S-BR
Name	Aries					
Material	Aluminium		Solid Brass	Aluminium		Solid Brass
Colour	Black	White	Polished	Black	White	Polished
Installation Type	Wall - Surface Mounted					
IP Rating	IP65					
Protection Class	1 (240v Requires Earth) ⚡					
Input Voltage	240v AC					
Lamp Base	Built in LED					
Lamp Wattage	1x 6w			2x 6w		
Colour Temp	5 Colour - 2700k, 3000k, 4000k, 5000k, 5700k			5 Colour - 2700k, 3000k, 4000k, 5000k, 5700k		
Lumens	615lm, 630lm, 700lm, 750lm, 790lm			2x 400lm, 2x 390lm, 2x 425lm, 2x 450lm, 2x 465lm		
CRI	> 80					
Wiring	Parallel					
Dimmable	Yes, Triac Dimmable					
Warranty	3 Years Replacement*					

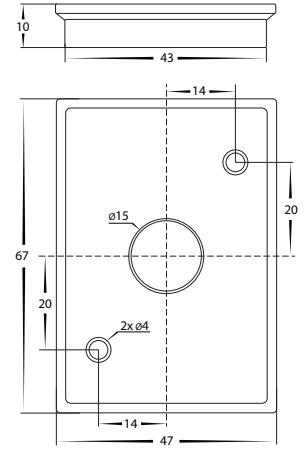
HV3625S Dimensions



HV3626S Dimensions



Mounting Base Diagram



Important Safety Issues:

- This product must be installed by a qualified electrician according to AS/NZS 3000.
- Ensure all electrical mains are disconnected before any installation.
- Modification of this product will void any warranty.
- Havit Lighting does not take responsibility for wrong installation, incorrect use, or use of installation material that does not belong to the system.
- All 316 & 304 stainless steel fittings must have regular cleaning maintenance to avoid any tea staining from forming on fitting. (Warranty does not cover Tea Staining)
- All o-rings and seals must be in place correctly to maintain warranty
- This form may be updated at any time due to product improvements, please check online installation form for most current version.

Steps for Installation:

1. Make sure that the electrical circuit is free of voltage (master switch off)
2. Loosen the allen screws from side of fitting.
3. Remove base plate from fitting.
4. Install base plate to wall in desired location using appropriate screws for application.
5. Connect the cable - use wire with earth; connect the earth first, then live and neutral wire.
6. Fitting is preset to 3000k, to change slide switch located inside base of fitting to desired colour temperature.
7. Reattach fitting to base plate making sure screws are tight to avoid any water penetration.
8. Apply silicon around edge of fitting to prevent any water from getting inside to electrical connections.
9. All connections must be carried out carefully, inspect all contacts before switching back on the electric circuit.

Must be installed by a licensed electrician

Contact Details:

143 Beauchamp Road
Matraville NSW 2036
Australia

Tel: 02 9381 8300
Fax: 02 9666 8881
Email: sales@havit.com.au
Web: www.havit.com.au

Warranty Terms & Conditions*



www.havit.com.au

