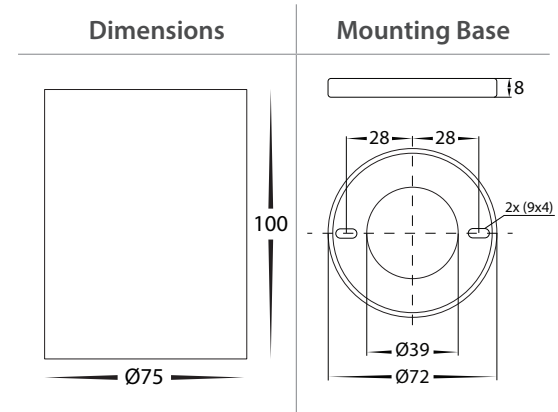
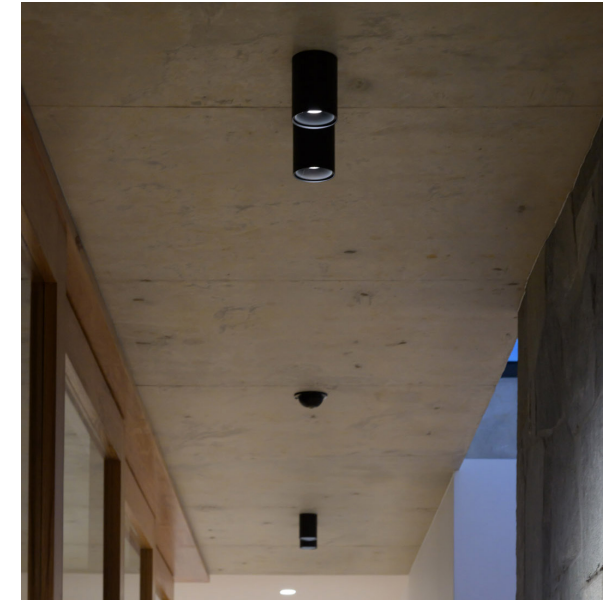
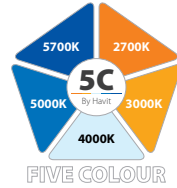


# Nella Aluminium Surface Mounted Downlights

Name	Nella
Material	Aluminium
Colour	Black or White
IP Rating	IP54
IK Rating	IK08
Installation Type	Ceiling - Surface Mounted
Diffuser Type	Plastic
Lamp Base	Built in LED
Max Wattage	7w
Protection Class	240v = 1 (Requires Earth) 12v DC = 3 (No Earth Required)
Lamp Expectancy	<30,000hrs
CRI	CRI>80
Dimmable	Yes - Triac (240V Models Only)
Warranty	3 Years Replacement



## Product Ordering

Image	Part Number	Colour Temp	Lumens	Input Voltage	Beam Angle	Included LED	Barcode
	<b>HV5841S-BLK</b>	2700k 3000k 4000k 5000k 5700k	499lm 512lm 558lm 593lm 601lm	240V AC	60°	Five Colour 7w Built in LED	9350418028525
	<b>HV5841S-BLK-12V</b>			12V DC			9350418033383
	<b>HV5841S-WHT</b>			240V AC			9350418028532
	<b>HV5841S-WHT-12V</b>			12V DC			9350418033390



Warranty  
Terms & Conditions

Website

### White



Gold Insert



Black Insert



Chrome Insert



HV5841-WHT-PDT  
3M Pendant Accessory



### Black



Gold Insert



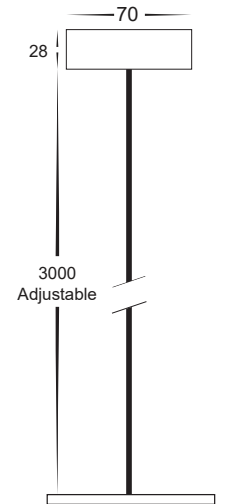
Chrome Insert



HV5841-BLK-PDT  
3M Pendant Accessory



### Pendant Line Drawing



### Optional Compatible Havit Accessories

Image	Part Number	Description	Barcode
	HV5841-GR	Gold Insert	9350418028549
	HV5841-BR	Black Insert	9350418028556
	HV5841-CR	Chrome Insert	9350418028563
	HV9625	Triac Dimmer	9350418001795
	HV5841-BLK-PDT	3M Pendant Accessory	9350418035691
	HV5841-WHT-PDT	3M Pendant Accessory	9350418035707

### Compatible Drivers for 12v DC Models



12v DC  
LED Drivers

See Catalogue or Website for full range of  
12v DC LED Drivers



Compatible  
Drivers



Warranty  
Terms & Conditions



Website