

14.4w IP67 24v DC 140LED



Haviflex LED Strip

Product Specifications

Watts Per Metre	14.4w
Input Voltage	24v DC
Colour Temp	3000K 4000K 5500K
Beam Angle	120°
Bending Radius	30mm
IP Rating	IP67
Size not Including End Caps	6mm (W) x 11mm (H)
Size Including End Caps	7.5mm (W) x 14mm (H)
PCB	3oz
CRI	>80
Lamp Expectancy	>50000hrs
Wiring	Parallel
Dimmable	Yes
LED Chip Type	2835
No. Chips Per Metre	140
Maximum Cut Length	5000mm
Cutting Increments	50mm
Mounting	Mounting Clips (4x Supplied Per Metre)
Operating Temperature	0 - + 60° Celcius
Ambient Temperature	-20° - + 50° Celcius
Warranty	3 Years Replacement*



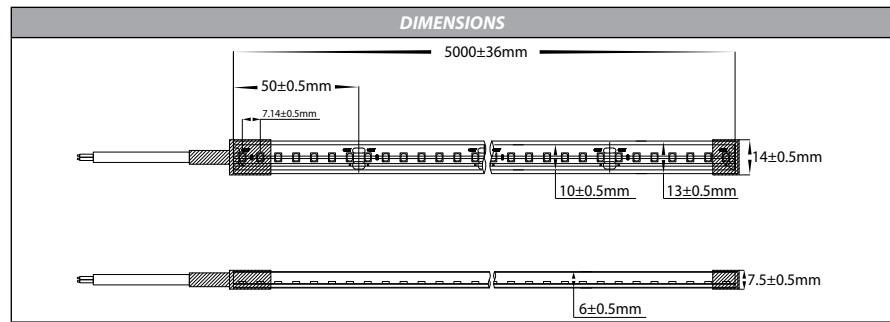
3000K



4000K



5500K



COMPATIBLE CONTROLLERS			
Touch Panels	Remote Controllers	Zigbee	RF + WIFI
 HV9101-E1 HV9101-EX15 HV9103-F4-5A	 HV9102-M1+M4-5A HV9102-Q1 HV9103-F4-5A	 HV9101-ZB-SCTP HV9102-ZB-SCREM HV9105-ZB-5C	 HV9101-2830A HV9102-2819DIM HV9105-1009-5C

Product Ordering - Per Metre

Image	Part Number	Colour Temp	Lumens	Barcode
	HV9792-IP67-140-3K	3000k	600lm	9350418024619
	HV9792-IP67-140-4K	4000k	630lm	9350418024626
	HV9792-IP67-140-5K	5500k	660lm	9350418024633

Product Ordering - 20m Reels

Image	Part Number	Colour Temp	Lumens	Barcode
	HV9792-IP67-140-3K-20M	3000k	600lm	9350418031846
	HV9792-IP67-140-4K-20M	4000k	630lm	9350418031853
	HV9792-IP67-140-5K-20M	5500k	660lm	9350418031860

*Ordered after 01-01-2022

For More Information Contact Havit Lighting

143 Beauchamp Road
Matraville NSW 2036
Australia

Tel: 02 9381 8300
Fax: 02 9666 8881
Email: sales@havit.com.au
Web: www.havit.com.au



Warranty Terms & Conditions



www.havit.com.au

14.4w IP67 24v DC 140LED

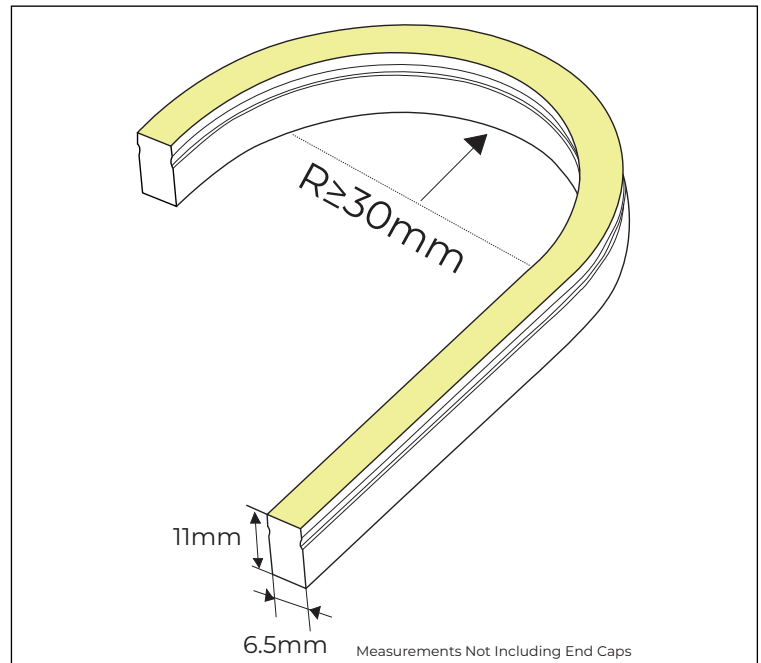
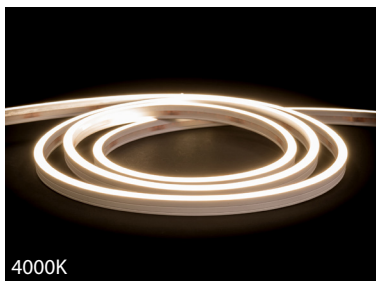
Haviflex LED Strip



Shown with Aluminium Channel



Shown with PVC Channel



Optional Accessories

Image	Dimensions	Part Number	Description	Barcode
		HV9792-ALU	Aluminium Channel (up to 3m Length)	9350418024664
		HV9792-PVC-CHANNEL	PVC Channel (1000mm Length)	9350418024671
		HV9792-PVC-CHANNEL-2M	PVC Channel (2000mm Length)	9350418028983
		HV9792-MC	2x Mounting Clips	9350418024657

*Ordered after 01-01-2022

For More Information Contact Havit Lighting

143 Beauchamp Road
Matraville NSW 2036
Australia

Tel: 02 9381 8300
Fax: 02 9666 8881
Email: sales@havit.com.au
Web: www.havit.com.au



Warranty Terms & Conditions



www.havit.com.au