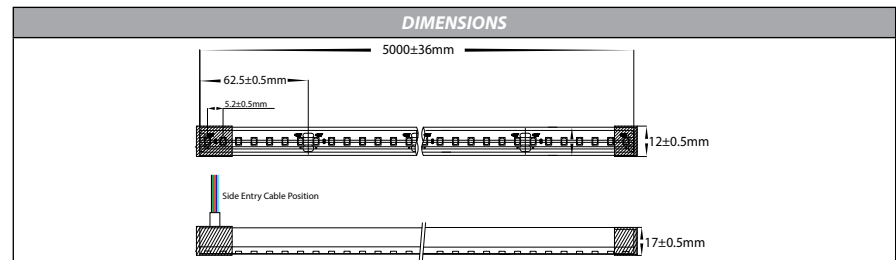
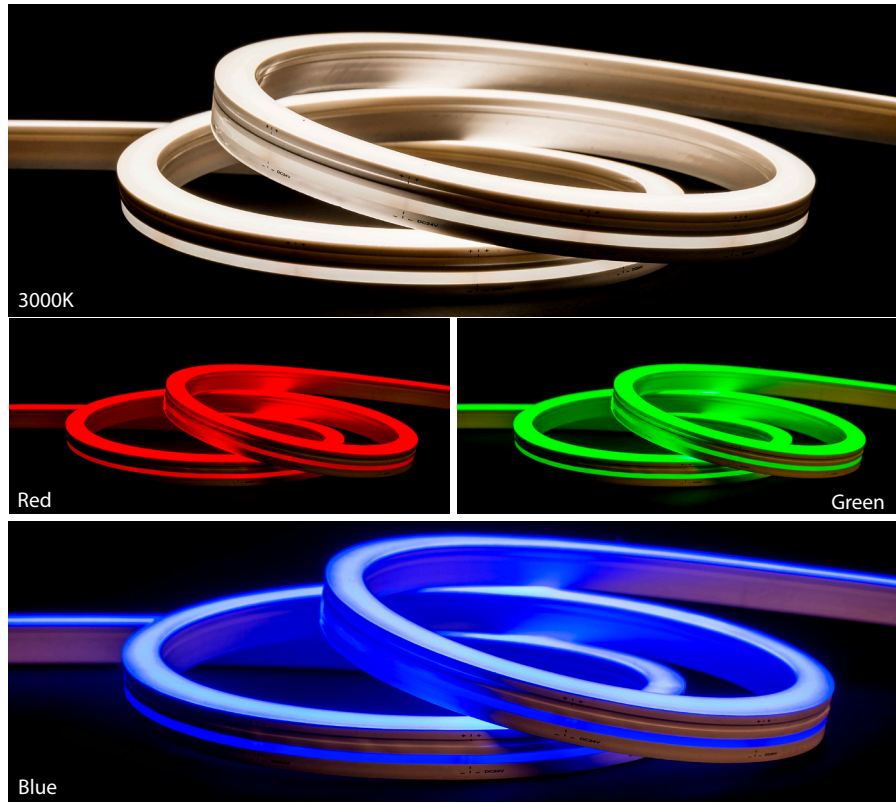


# 14.4w IP67 24v DC 196LED Side Bend RGBW Haviflex LED Strip



## Product Specifications

Watts Per Metre	14.4w
Input Voltage	24v DC
Colour Temp	RGBW (RGB + 3000K)
Beam Angle	120°
Bending Radius	60mm
IP Rating	IP67
Size	12mm (W) x 17mm (H)
PCB	3oz
CRI	>80
Lamp Expectancy	>50000hrs
Wiring	Parallel
Dimmable	Yes
LED Chip Type	2835
No. Chips Per Metre	196
Maximum Cut Length	5000mm
Cutting Increments	62.5mm
Mounting	Mounting Clips (4x Supplied Per Metre)
Operating Temperature	0 - + 60° Celcius
Ambient Temperature	-20° - + 50° Celcius
Warranty	3 Years Replacement*



COMPATIBLE CONTROLLERS			
Touch Panels RF + WIFI	Remote Controllers	Zigbee	RF + WIFI
<p>HV9101-2820</p> <p>HV9105-1009-5C</p>	<p>HV9102-M4+M4-5A</p> <p>HV9102-Q4</p> <p>HV9103-F4-5A</p>	<p>HV9101-ZB-RGBWTP</p> <p>HV9102-ZB-RGBWREM</p> <p>HV9105-ZB-5C</p>	<p>HV9102-2819RGBW</p> <p>HV9105-1009-5C</p>

## Product Ordering - Per Metre

Image	Part Number	Colour Temp	Lumens	Barcode
	<b>HV9795-IP67-200-RGBW</b>	RGBW (RGB + 3000K)	600lm	9350418024718

## Product Ordering - 20m Reels

Image	Part Number	Colour Temp	Lumens	Barcode
	<b>HV9795-IP67-200-RGBW-20M</b>	RGBW (RGB + 3000K)	600lm	9350418031877

\*Ordered after 01-01-2022

For More Information Contact Havit Lighting

143 Beauchamp Road  
Matraville NSW 2036  
Australia

Tel: 02 9381 8300  
Fax: 02 9666 8881  
Email: sales@havit.com.au  
Web: www.havit.com.au

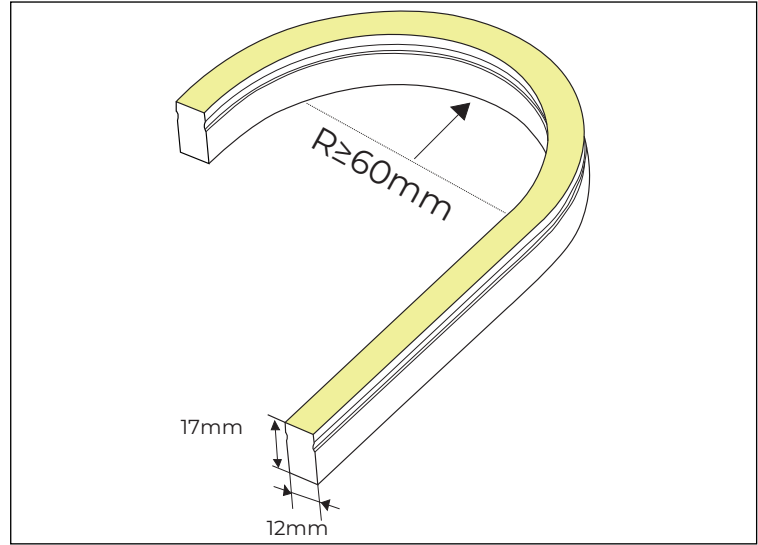
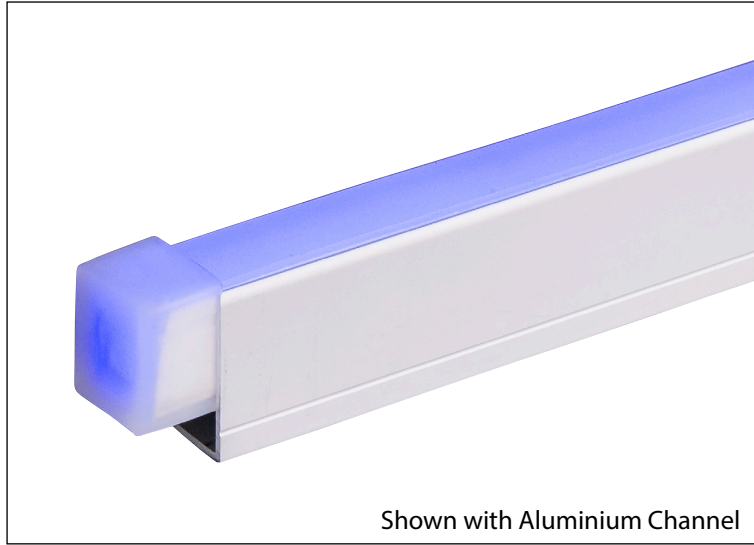


Warranty Terms & Conditions

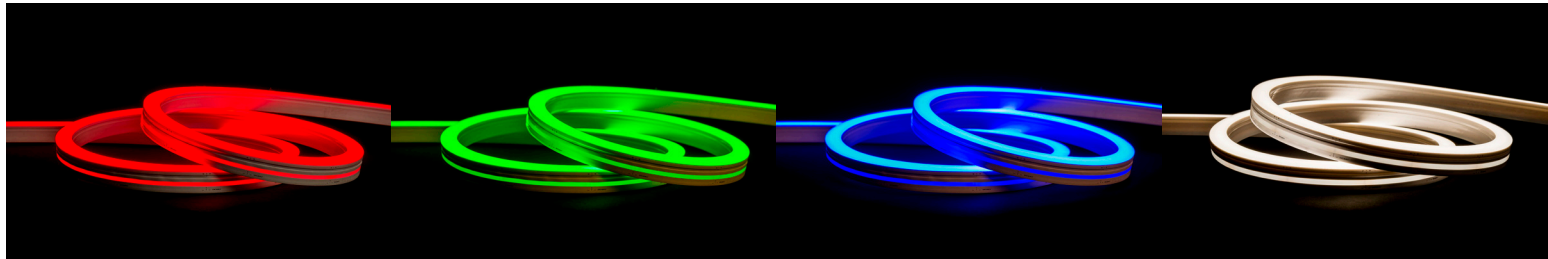
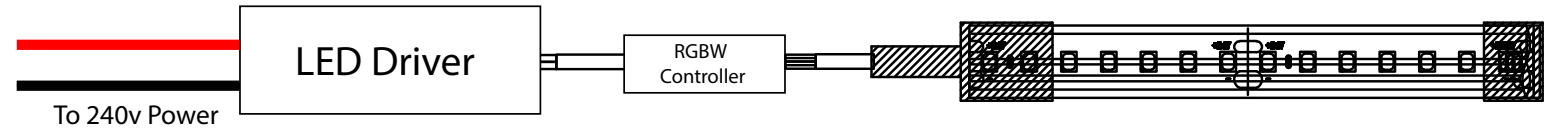


www.havit.com.au

# 14.4w IP67 24v DC 196LED Side Bend RGBW Haviflex LED Strip



## Sample Wiring Diagram



## Optional Accessories

Image	Dimensions	Part Number	Description	Barcode
		<b>HV9795-ALU</b>	Aluminium Channel (Up to 3000mm Length)	9350418024664
		<b>HV9795-ALU-BEND</b>	Bendable Channel (2x 500mm Lengths)	9350418024671
		<b>HV9795-MC</b>	2x Mounting Clips	9350418024657

\*Ordered after 01-01-2022

For More Information Contact Havit Lighting

143 Beauchamp Road  
Matraville NSW 2036  
Australia

Tel: 02 9381 8300  
Fax: 02 9666 8881  
Email: sales@havit.com.au  
Web: www.havit.com.au



Warranty Terms & Conditions



www.havit.com.au