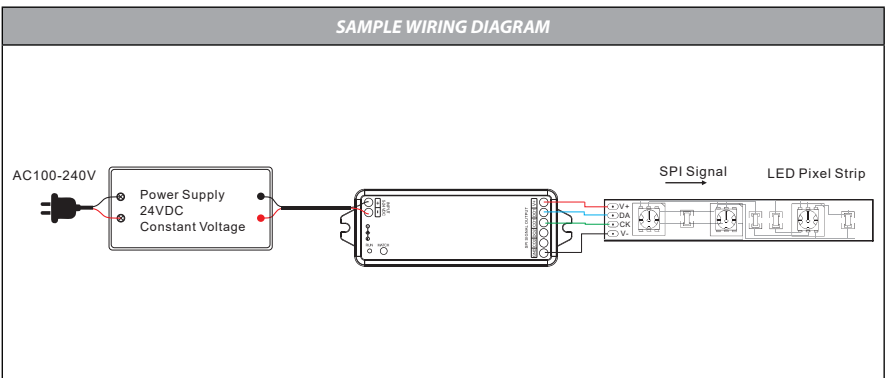
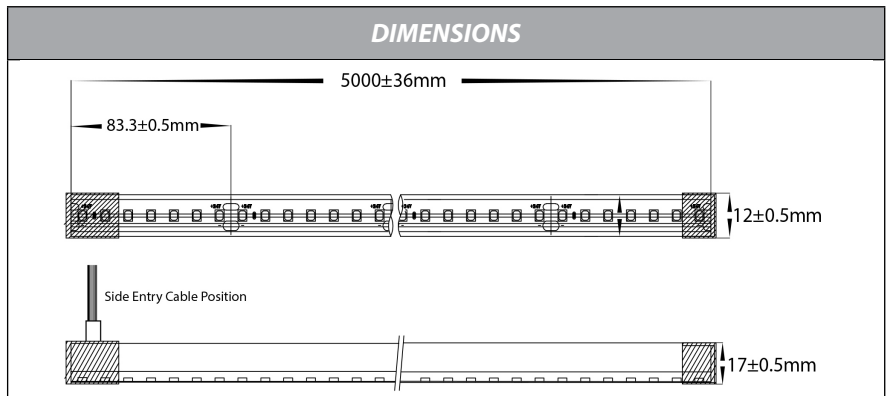
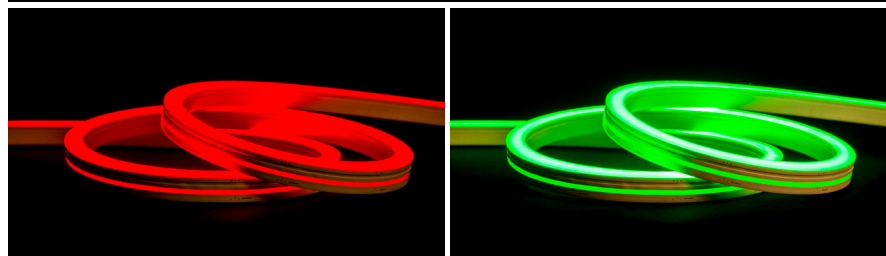
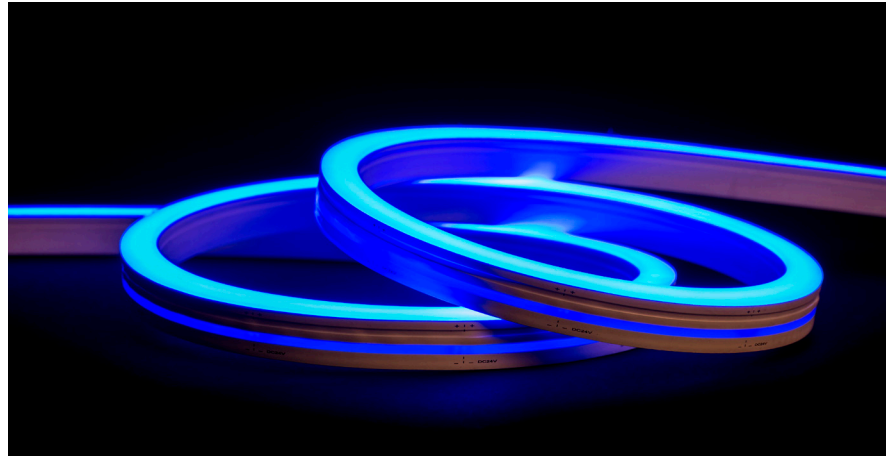


20w IP67 24v DC 84LED Side Bend Chasing RGB Haviflex LED Strip



Product Specifications

Watts Per Metre	20w
Input Voltage	24v DC
Colour Temp	RGB (Chasing)
Beam Angle	120°
Bending Radius	60mm
IP Rating	IP67
Size	12mm (W) x 17mm (H)
PCB	3oz
CRI	>90
Wiring	Parallel
Dimmable	Yes
LED Chip Type	2835
No. Chips Per Metre	84
Lumens Per Metre	405lm
Maximum Length	5000mm
Cutting Increments	Every 83.3mm
Mounting	Mounting Clips (4x Supplied Per Metre)
Ambient Temperature	-20° to 50°
Operating Temperature	0° to 60°
Warranty	3 Years Replacement



Product Ordering - Per Metre

Image	Part Number	Colour Temp	Lumens	Barcode
	HV9795-IP67-200-SPIRGB	RGB (Chasing)	240lm	9350418028990

Product Ordering - 20m Reels

Image	Part Number	Colour Temp	Lumens	Barcode
	HV9795-IP67-200-SPIRGB-20M	RGB (Chasing)	405lm	9350418031921

*Ordered after 01-01-2022

For More Information Contact Havit Lighting

143 Beauchamp Road
Matraville NSW 2036
Australia

Tel: 02 9381 8300
Fax: 02 9666 8881
Email: sales@havit.com.au
Web: www.havit.com.au

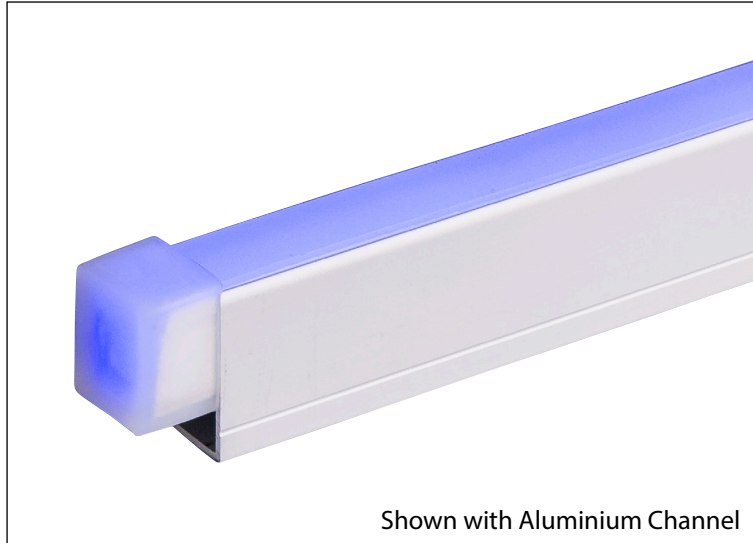


Warranty Terms & Conditions

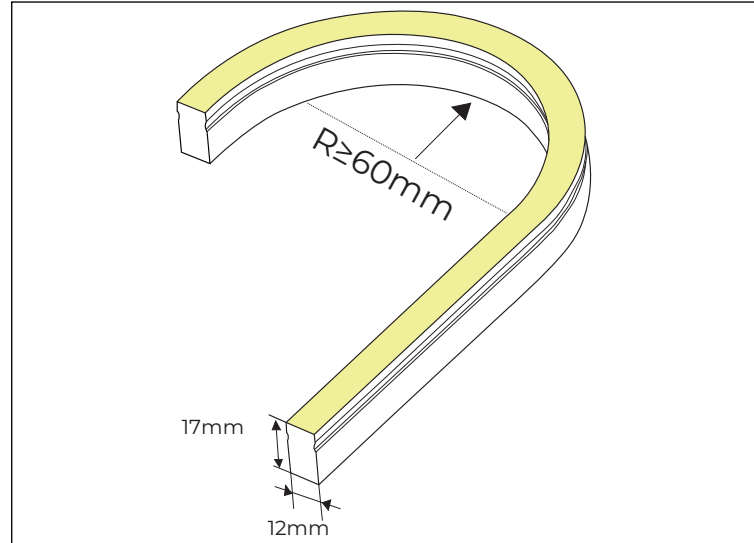


www.havit.com.au

20w IP67 24v DC 84LED Side Bend Chasing RGB Haviflex LED Strip



Shown with Aluminium Channel



Optional Accessories

Image	Dimensions	Part Number	Description	Barcode
		HV9795-ALU	Aluminium Channel (Up to 3000mm Length)	9350418024664
		HV9795-ALU-BEND	Bendable Channel (2x 500mm Lengths)	9350418024671
		HV9795-MC	2x Mounting Clips	9350418024657
		HV9795-F-CONNECTOR	Female Connector with DIY Plug	9350418032591
		HV9795-M-CONNECTOR	Male Connector with DIY Plug	9350418032607
		HV9795-T-CONNECTOR	T-Shape Connector with DIY Plugs	9350418032614

*Ordered after 01-01-2022

For More Information Contact Havit Lighting

143 Beauchamp Road
Matraville NSW 2036
Australia

Tel: 02 9381 8300
Fax: 02 9666 8881
Email: sales@havit.com.au
Web: www.havit.com.au



Warranty Terms & Conditions



www.havit.com.au