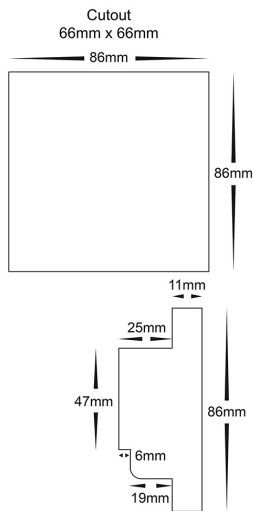


PRODUCT SPECIFICATIONS

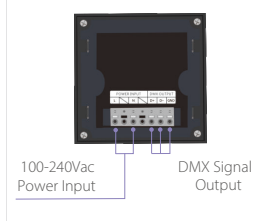
- Material:** Plastic + Glass
- Colour:** White
- LED Strip Type:** RGBC or RGBW
- No. of Zones:** 4
- Output Signal:** 2.4Ghz +DMX512
- Input Voltage:** 240v AC
- IP Rating:** IP20
- Dimmable:** Yes (5% - 100%)
- Warranty:** 2 Years Replacement**



DIMENSIONS



WIRING DIAGRAM

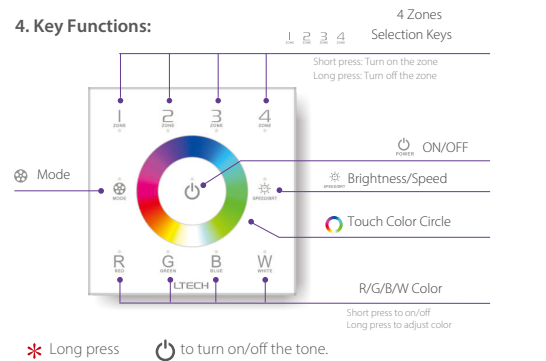


IP RATING



OPERATING INSTRUCTIONS

4. Key Functions:



The Changing Mode

- | | | |
|-----------------|------------------|---------------------|
| 1. Static Red | 4. Static Yellow | 7. Static White |
| 2. Static Green | 5. Static Purple | 8. RGB Jumping |
| 3. Static Blue | 6. Static Cyan | 9. 7 Colors Jumping |

Product Ordering

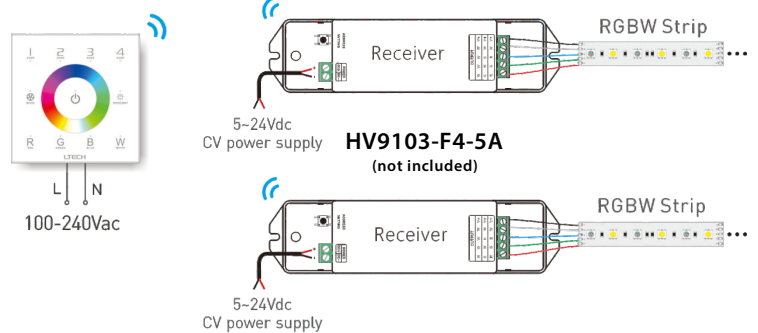
IMAGE



PART NUMBER

HV9101-EX8S

SAMPLE INSTALLATION DIAGRAM



** See Warranty Terms and Conditions for more information

For more information contact Havit Lighting

ADDRESS:
143 Beauchamp Road
Matraville NSW 2036
Australia

Tel: 02 9381 8300
Fax: 02 9666 8881
Email: sales@havit.com.au
web: www.havit.com.au