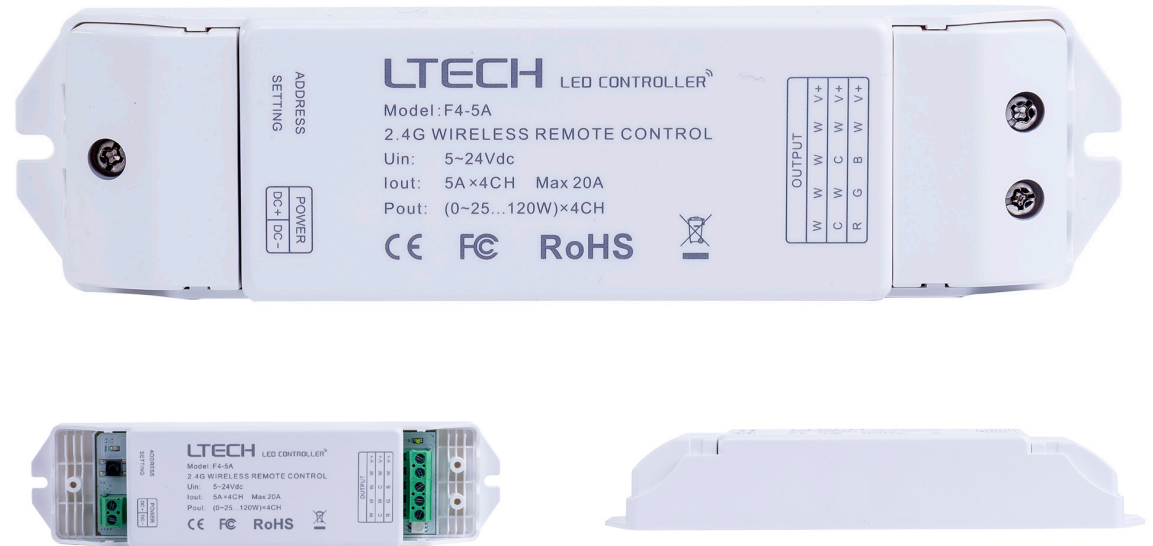


# RF 4 Channel LED Strip Receiver

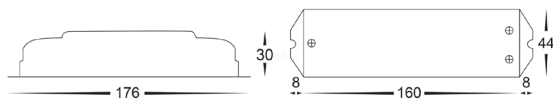
Part Number	HV9103-F4-5A
Material	Plastic
Colour	White
IP Rating	IP20
Compatibility	To be used with HV9101-EX & HV9102-Q models
LED Strip Type	Single Colour, RGB, RGBC, RGBW
No. of Channels	4CH X 5A
Input Voltage	12v DC or 24v DC
Output Signal	2.4 GHz
Load	12v Max 240w   24v Max 480w
Dimmable	Yes
Warranty	3 Years Replacement



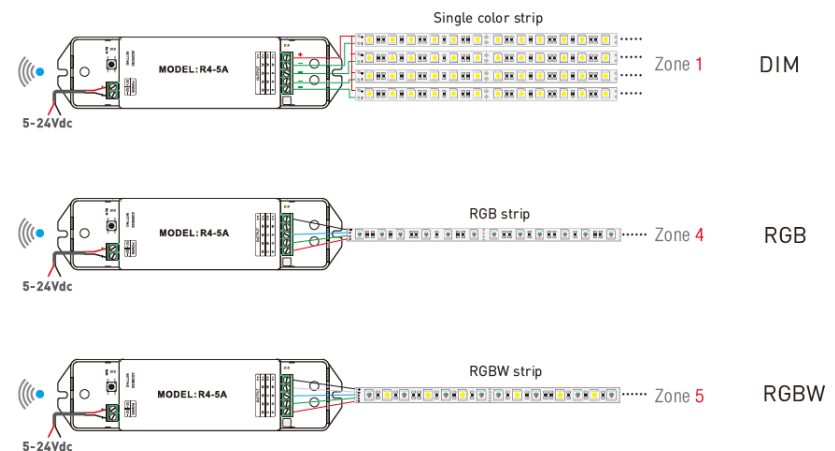
## Product Ordering

Image	Part Number	Barcode
	<b>HV9103-F4-5A</b>	9350418001825

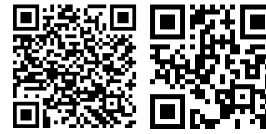
## Dimensions



## Sample Wiring Diagram



# RF 4 Channel LED Strip Receiver



Warranty  
Terms & Conditions

Website

## Compatible Remote Controllers



HV9102-Q1  
Single Coloured 4 Zone LED  
Strip Remote Controller



HV9102-Q4  
RGBC/W 4 Zone LED Strip  
Remote Controller

## Compatible Touch Panel Controllers



HV9101-EX1S  
Single Colour LED Strip Touch  
Panel Controller



HV9101-EX4S  
RGBC/W RF LED Strip Touch  
Panel Controller



HV9101-EX8S  
RGBC or RGBW Zone RF LED  
Strip Touch Panel Controller



Havit Lighting 143 Beauchamp Road, Matraville, N.S.W. 2036 | Phone: 02 9381 8300  
Email: sales@havit.com.au | Web: www.havit.com.au