

5 Channel LED Strip Repeater

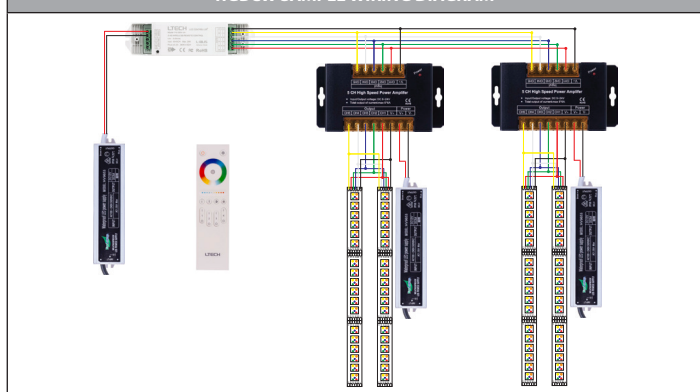


Product Specifications

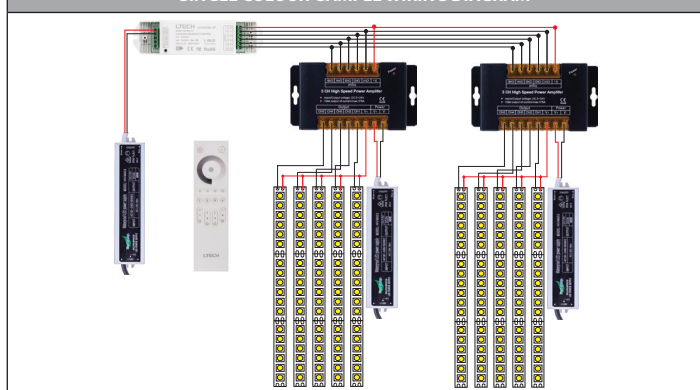
Material	Aluminium
Colour	Black
IP Rating	IP20
LED Strip Type	All LED Strip
No. of Channels	5
Input Signal	PWM
Input Voltage	12v DC or 24v DC
Output Power	Single Colour: 12v DC = 360w 24v DC = 720w
	CT: 12v DC = 288w 24v DC = 576w
	RGB: 12v DC = 216w 24v DC = 432w
	RGBW: 12v DC = 288w 24v DC = 576w
Dimmable	Yes - 0.1%-100%
Warranty	3 Years Replacement*



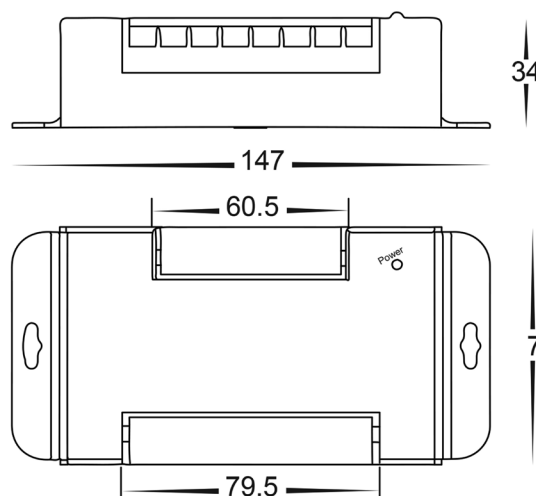
RGBCW SAMPLE WIRING DIAGRAM



SINGLE COLOUR SAMPLE WIRING DIAGRAM



DIMENSIONS



Product Ordering

Part Number	input Voltage	No. Channels	Output Power	Barcode
HV9636	12v DC or 24v DC	5	5x 6A (360w 720w)	9350418026156

*Items ordered after 01-01-2022

Contact Details:

143 Beauchamp Road
Matraville NSW 2036
Australia
Tel: 02 9381 8300
Fax: 02 9666 8881
Email: sales@havit.com.au
Web: www.havit.com.au

Warranty Terms & Conditions*



www.havit.com.au

