

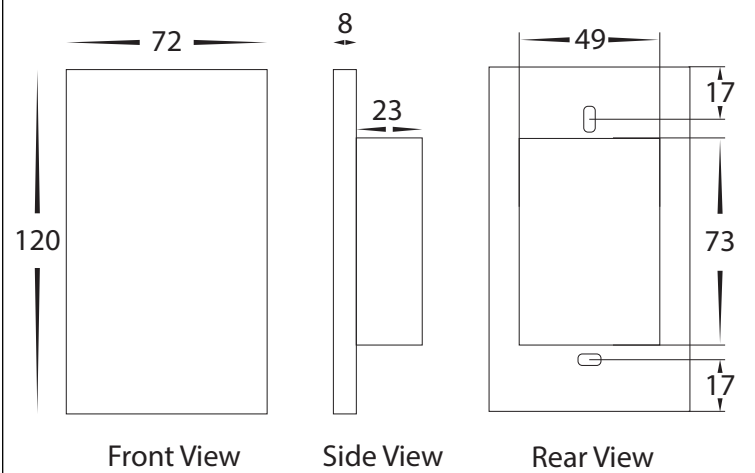
Product Specifications

Model No.	HV9210-1	HV9210-2	HV9210-3	HV9210-4	HV9220-1	HV9220-2	HV9220-3	HV9220-4
Material	Plastic back with Glass Front							
Colour	Black				Black with Gold Trim			
Max Load	300w	2x 300w	3x 300w	4x 300w	300w	2x 300w	3x 300w	4x 300w
IP Rating	IP20							
Input Voltage	240v AC							
Neutral Required	No when used with Capacitor							
Potention Class	2 (No Earth Required)							
RF Frequency	2.4Ghz							
2 Way Switching	Yes - (Configured in APP)							
Dimmable	No							
Warranty	3 Years Replacement*							

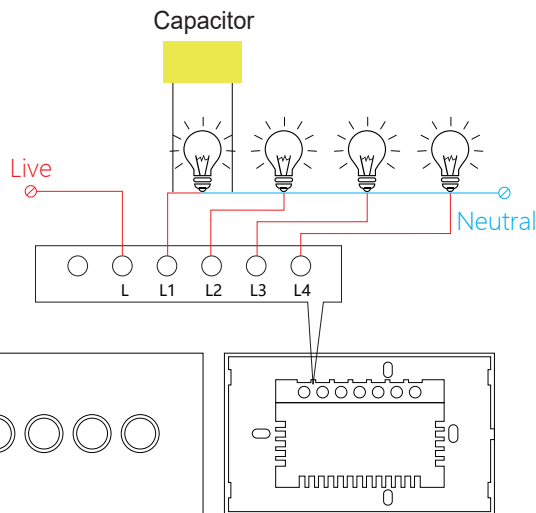
Important Safety Issues:

- This product must be installed by a qualified electrician according to AS/NZS 3000.
- Ensure all electrical mains are disconnected before any installation. Modification of this product will void any warranty.
- Havit Lighting does not take responsibility for wrong installation, incorrect use, or use of installation material that does not belong to the system.
- All electrical connections must be watertight, if a watertight connection is not done, Warranty will be voided.
- When installing low voltage fittings, Voltage to fitting must be within +or- 5% of voltage required and cannot be installed more than 25m from LED Driver, if not within this allowance warranty will be voided.
- Aluminium and 304SS fittings must not be installed within 5km of any salt water environments.
- All 316 stainless steel fittings must have regular cleaning maintenance to avoid any tea staining from forming on fitting. (Warranty does not cover Tea Staining).
- All o-rings and seals must be in place correctly to maintain warranty.
- These instructions may be updated at any time due to product improvements, Please visit website for most current installation instructions.

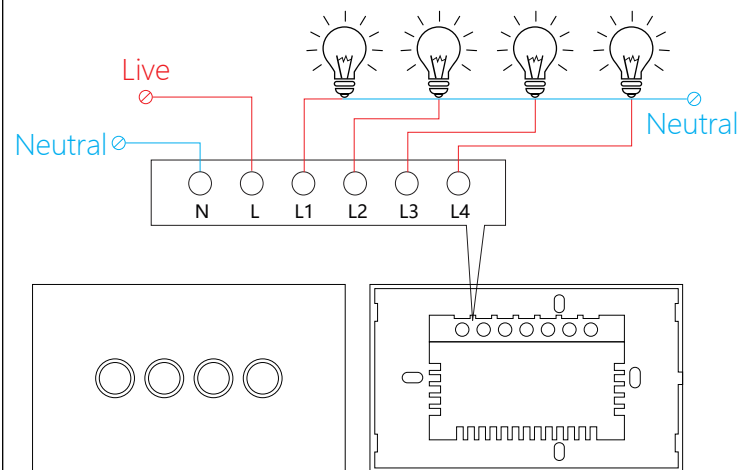
Dimensions



No Neutral Wiring Diagram



With Neutral Wiring Diagram



Steps for Installation (No Neutral):

1. Make sure that the electrical circuit is free of voltage (master switch off)
2. Open front cover with Small Screwdriver.
3. Follow Wiring instructions in diagram above
4. Connect Capacitor on L1 of the and between L and N of the fitting
5. Insert screws into switch plate and fix into wall and tighten (do not overtighten)
6. Attach cover until in clicks into place.
7. All connections must be carried out carefully, inspect all contacts before switching back on the electric circuit.

Steps for Installation (With Neutral):

1. Make sure that the electrical circuit is free of voltage (master switch off)
2. Open front cover with Small Screwdriver.
3. Follow Wiring instructions in diagram above
4. Insert screws into switch plate and fix into wall and tighten (do not overtighten)
5. Attach cover until in clicks into place.
6. All connections must be carried out carefully, inspect all contacts before switching back on the electric circuit.

Must be installed by a licensed electrician

Contact Details:

143 Beauchamp Road
Matraville NSW 2036
Australia

Tel: 02 9381 8300
Fax: 02 9666 8881
Email: sales@havit.com.au
Web: www.havit.com.au

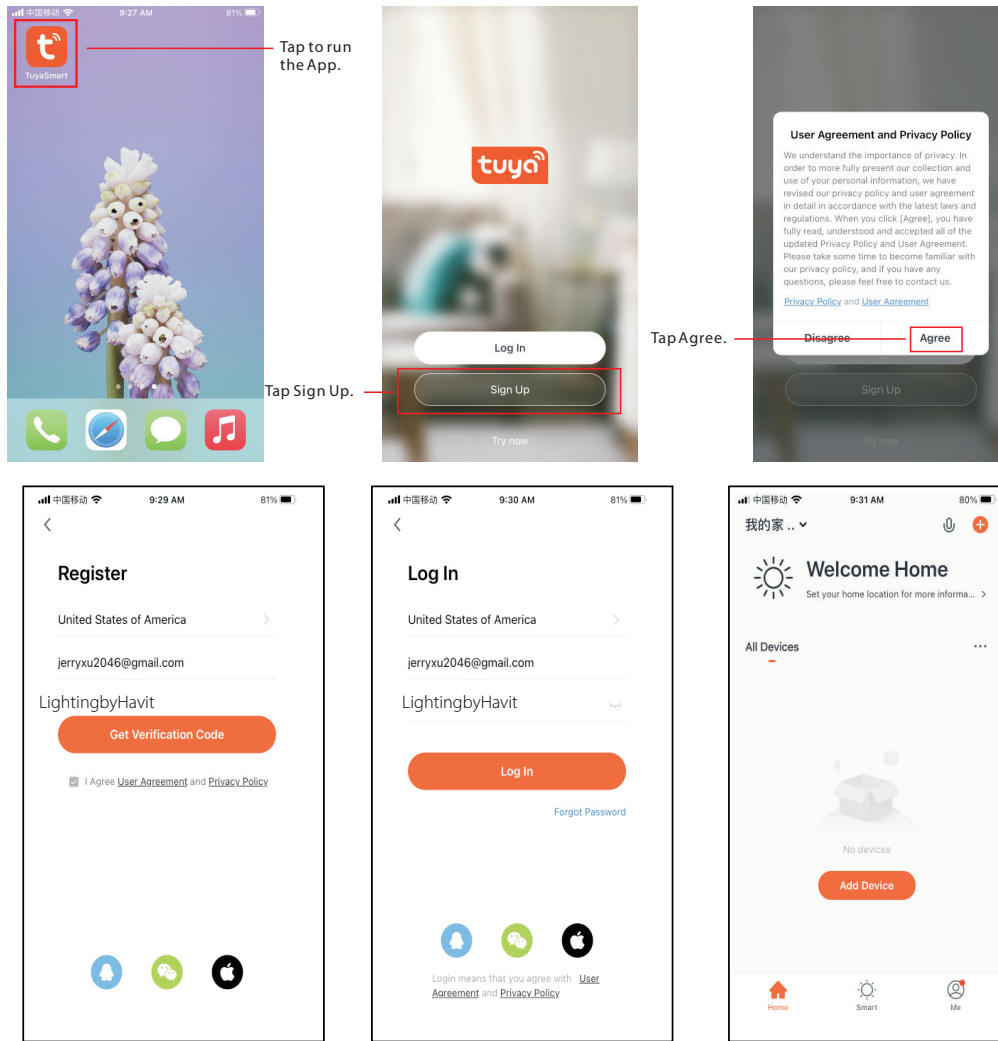
Warranty Terms & Conditions*



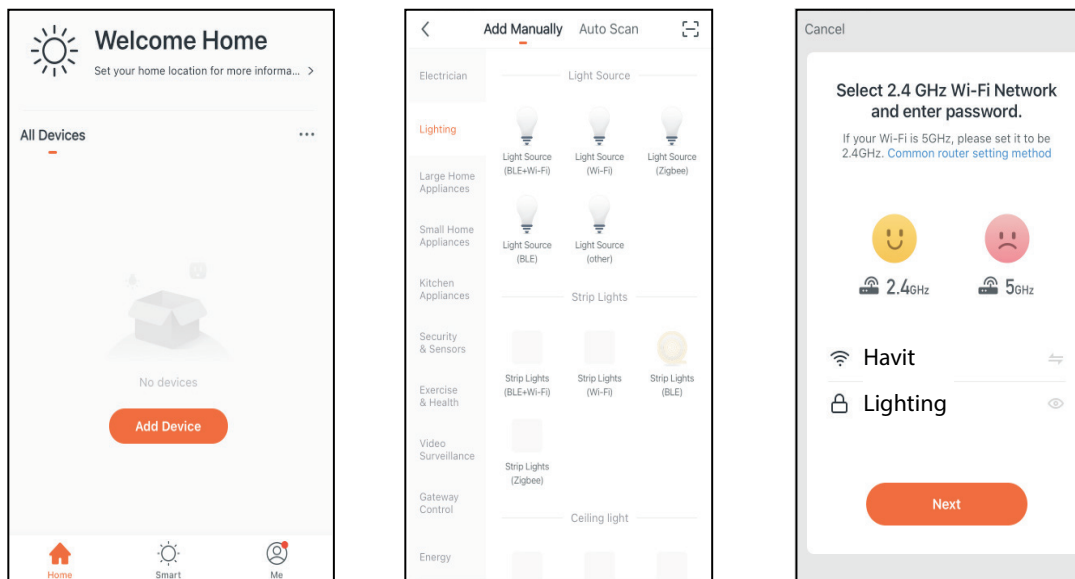
Additional Information



Step 2: Download TUYA SMART APP from either APP store or Google Play and register an account, Once registered, login to account to start pairing process.



Step 2: Switch on to initiate pairing mode, Wifi indicator light will flash to indicate that pairing mode is active, APP Should automatically discover Switch, otherwise Press add device in top right corner and follow steps below.



Step 3: Indicator light will stop flashing and become solid once paired, Rename switch and press done when completed.

Step 4: APP Will return to home screen, from there you can select switch for App Control.

Must be installed by a licensed electrician

Contact Details:

143 Beauchamp Road
Matraville NSW 2036
Australia

Tel: 02 9381 8300
Fax: 02 9666 8881
Email: sales@havit.com.au
Web: www.havit.com.au

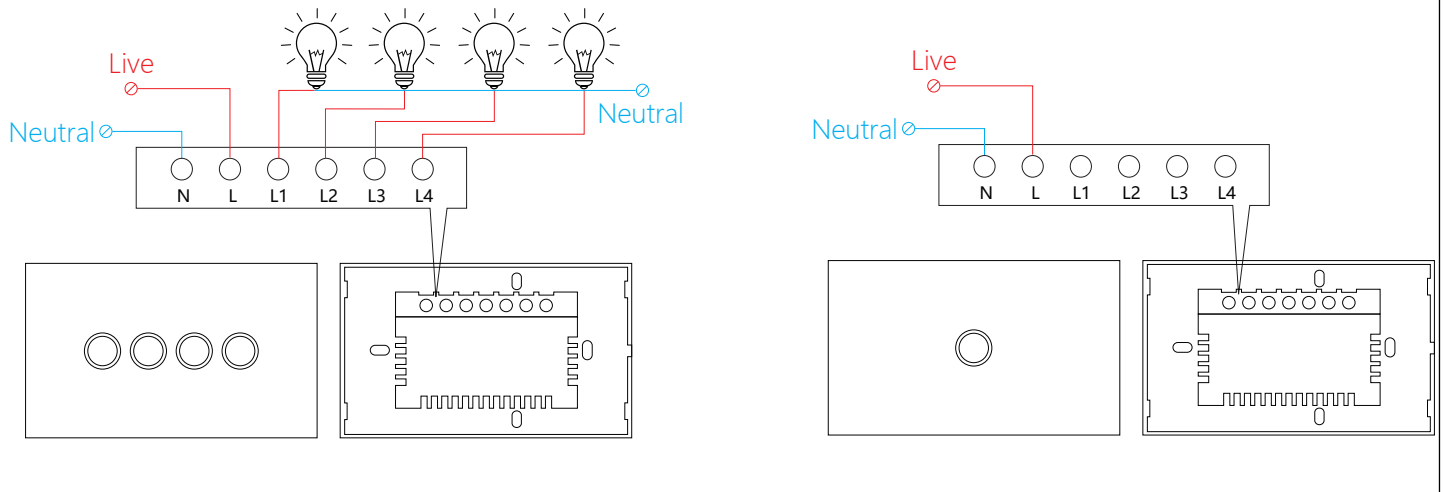
Warranty Terms & Conditions*



Additional Information



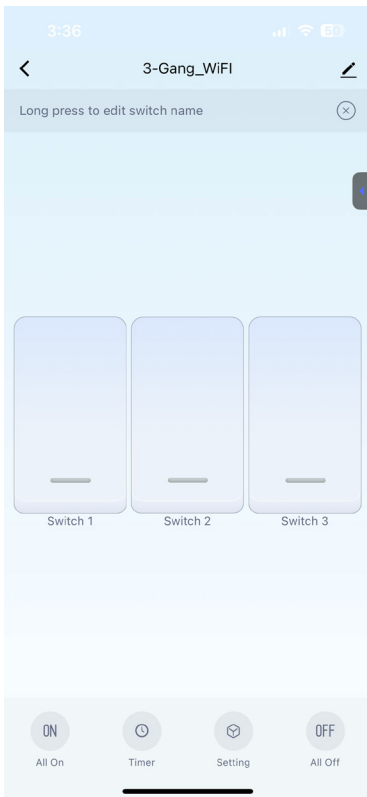
2 Way Switching Wiring Diagram



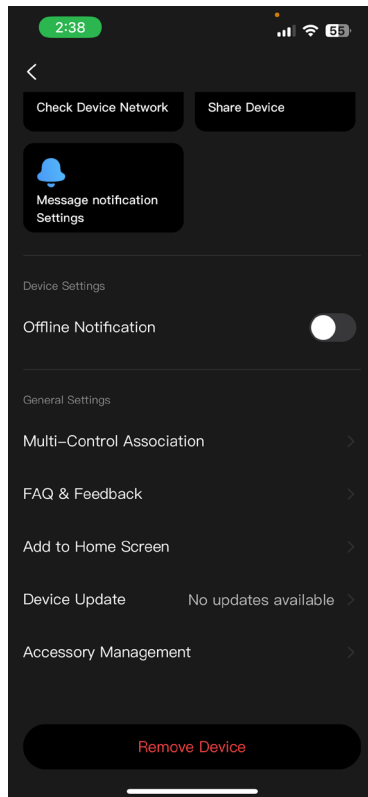
For 2 Way Switching follow steps below.

1. Wire the second switch as shown in diagram above.
2. Open APP and select main switch.
3. Press edit in top right corner.
4. Press Multi Control Association.
5. Press + Link with Switch
6. Select Switch required for 2 Way Switching.

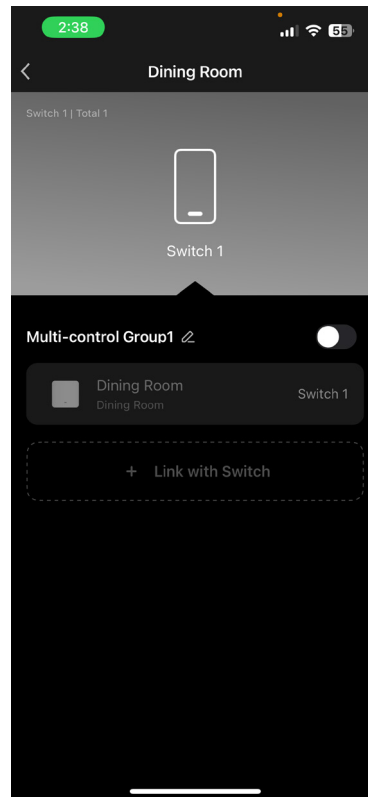
3.



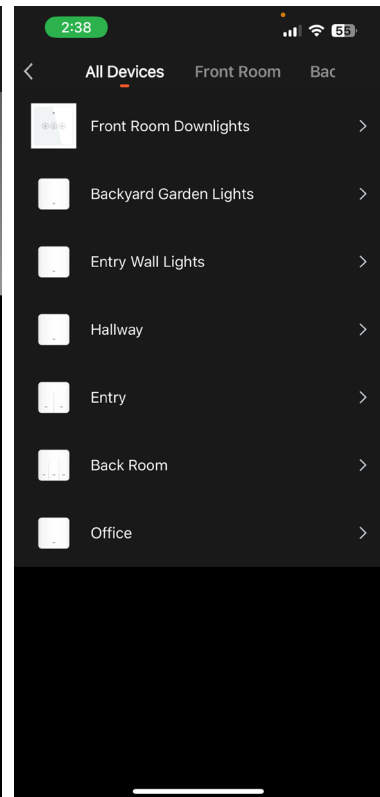
4.



5.



6.



Must be installed by a licensed electrician

Contact Details:

143 Beauchamp Road
Matraville NSW 2036
Australia

Tel: 02 9381 8300
Fax: 02 9666 8881
Email: sales@havit.com.au
Web: www.havit.com.au

Warranty Terms & Conditions*



Additional Information

