

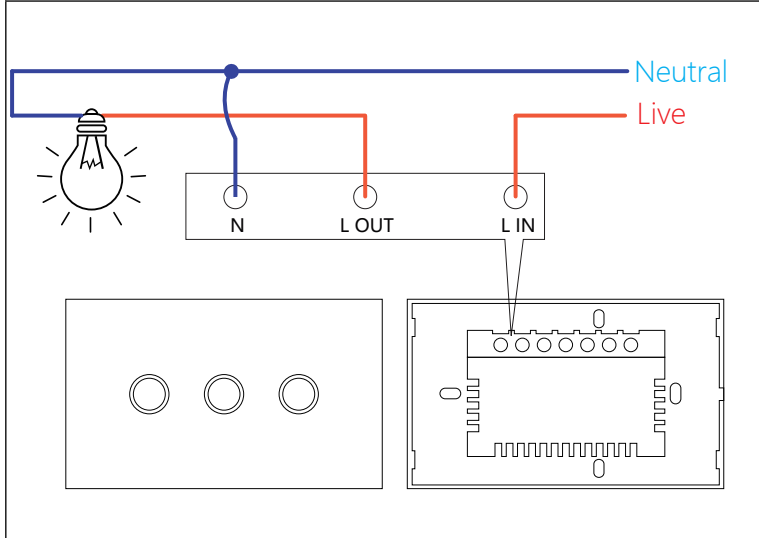
Product Specifications

Model No.	HV9111	HV9211
Material	Plastic back with Glass Front	
Colour	White	Black
Max Wattage	300w	
IP Rating	IP20	
Input Voltage	240v AC	
Neutral Required	Yes	
Potention Class	2 (No Earth Required)	
RF Frequency	2.4Ghz	
2 Way Switching	No	
Dimmable	Yes	
Warranty	3 Years Replacement*	

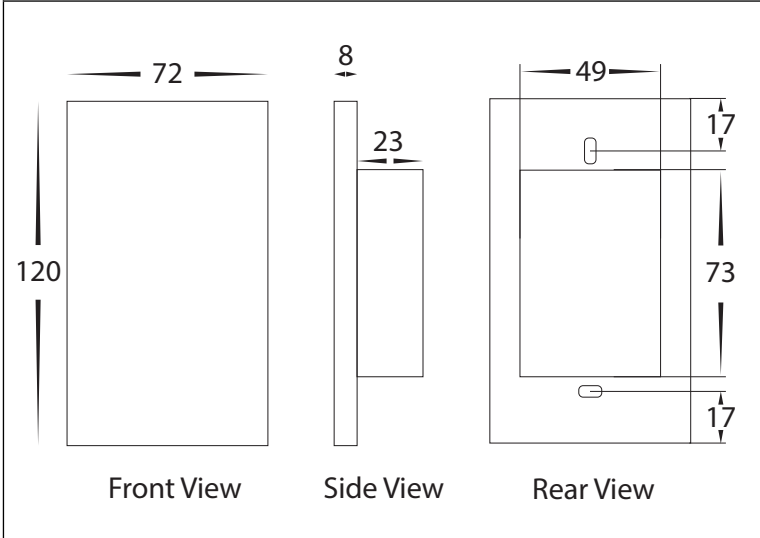
Important Safety Issues:

- This product must be installed by a qualified electrician according to AS/NZS 3000.
- Ensure all electrical mains are disconnected before any installation. Modification of this product will void any warranty.
- Havit Lighting does not take responsibility for wrong installation, incorrect use, or use of installation material that does not belong to the system.
- All electrical connections must be watertight, If a watertight connection is not done, Warranty will be voided.
- These instructions may be updated at any time due to product improvements, Please visit website for most current installation instructions.

No Neutral Wiring Diagram



Dimensions



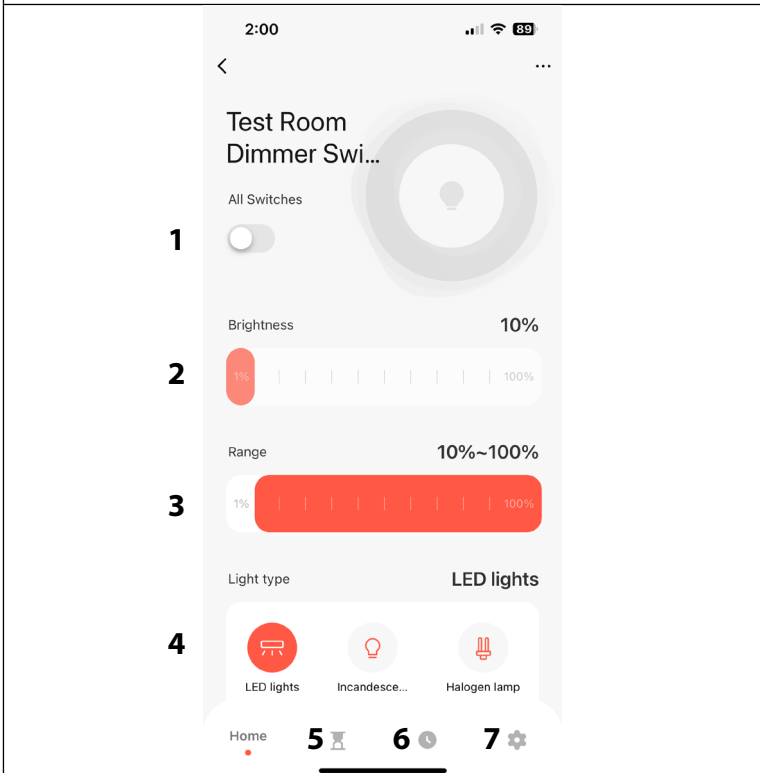
Steps for Installation:

- Make sure that the electrical circuit is free of voltage (master switch off)
- Open front cover with Small Screwdriver.
- Follow Wiring instructions in diagram above
- Insert screws into switch plate and fix into wall and tighten (do not overtighten)
- Attach cover until it clicks into place.
- All connections must be carried out carefully, inspect all contacts before switching back on the electric circuit.

Dimmer Settings (see image on right):

- All Switches is for turning Lights on or off.
- Brightness - here you can adjust brightness levels. Slide left or right to adjust.
- Dimming Range - Here you can adjust the dimming range from 1% to 100%, it is recommended to not go lower than 5% to prevent any flickering in fittings. If Flickering does happen, Increase range until flicker stops.
- Light Type - Select what type of Light Dimmer is being used for.
- Timer - Set to have lights turn off after set period of time.
- Schedule- Set Schedules for routines for Times lights to turn On or Off.
- Settings - To set Power on State Memory, for when power failures occur and power gets switched back on, Dimmer either remember setting it was on or return to default mode. Other setting is to turn Backlight On or Off.

Dimensions



See following Pages for APP Set Up

Must be installed by a licensed electrician

Contact Details:

143 Beauchamp Road
Matraville NSW 2036
Australia

Tel: 02 9381 8300
Fax: 02 9666 8881
Email: sales@havit.com.au
Web: www.havit.com.au

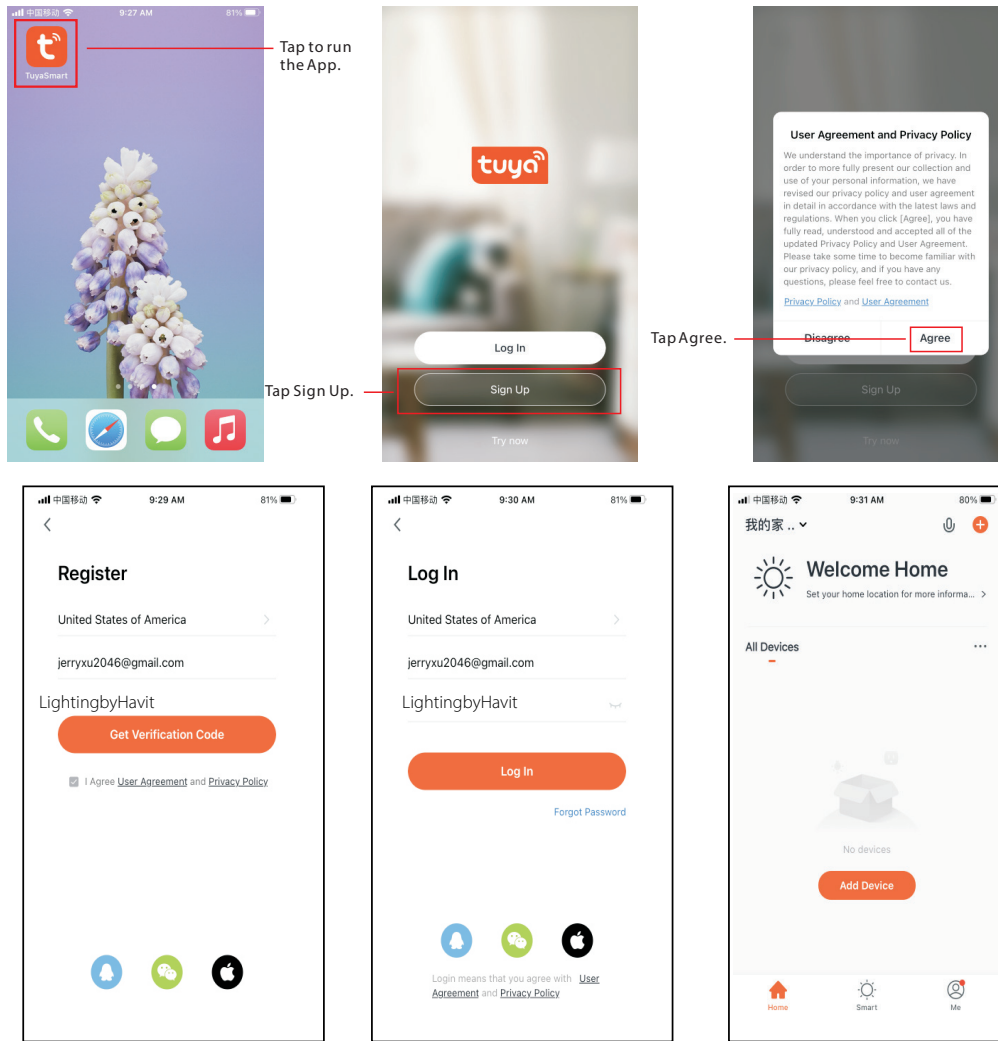
Warranty Terms & Conditions*



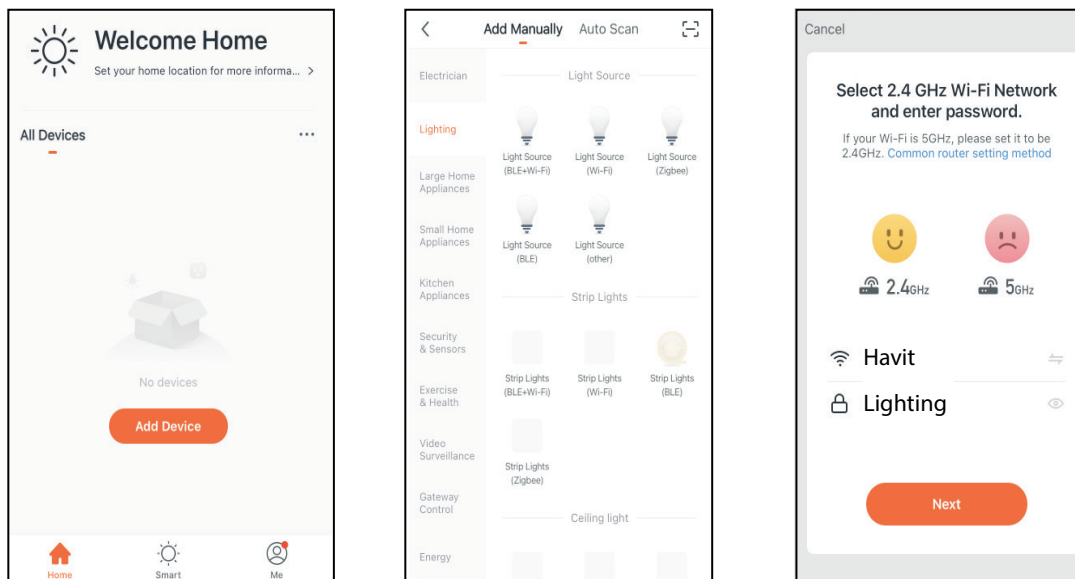
www.havit.com.au



Step 2: Download TUYA SMART APP from either APP store or Google Play and register an account, Once registered, login to account to start pairing process.



Step 2: Switch on to initiate pairing mode, Wifi indicator light will flash to indicate that pairing mode is active, APP Should automatically discover Switch, otherwise Press add device in top right corner and follow steps below.



Step 3: Indicator light will stop flashing and become solid once paired, Rename switch and press done when completed.

Step 4: APP Will return to home screen, from there you can select switch for App Control.

Must be installed by a licensed electrician

Contact Details:

143 Beauchamp Road
Matraville NSW 2036
Australia

Tel: 02 9381 8300
Fax: 02 9666 8881
Email: sales@havit.com.au
Web: www.havit.com.au

Warranty Terms & Conditions*



www.havit.com.au

