

VSAT XHD TIN MOUNT Installation Instructions for Metal Clad Roofs - 76mm Mast

Relates to Hills A&TV Systems product number FB607137C
Foxtel IPL F30728 1.2M XHD Flexi Tin Mount 76mm

Site selection: The section of roof chosen for mounting the satellite dish must be inspected to ensure it is in good condition and structurally sound, and the customer consulted to ensure that they are satisfied with the dish location.

Safety: Beware of the danger of live electrical cables behind the building cladding. The use of earth leakage protection safety devices when drilling through cladding is recommended.

Wind Loads: XHD Tin Mount for metal clad roofs has been designed for the Prodelin 98cm 1981 series and 1.2m 1123 series satellite dishes. It is suitable for installations in wind classifications up to W60 (AS 4055 - 1992 Wind Classification N5/C3). Note the special requirements for 1.2m dish installations in wind classifications higher than W50 (AS 4055 - 1992 Wind Classification N4/C2).

Warning: For all XHD Tin Mount metal clad roof installations it is necessary to reinforce the rafter purlin connections as described in step 1 below.

Mount Arrangement: The mount can be arranged on the roof with the braces running up or down the slope of the roof. (see fig 1)

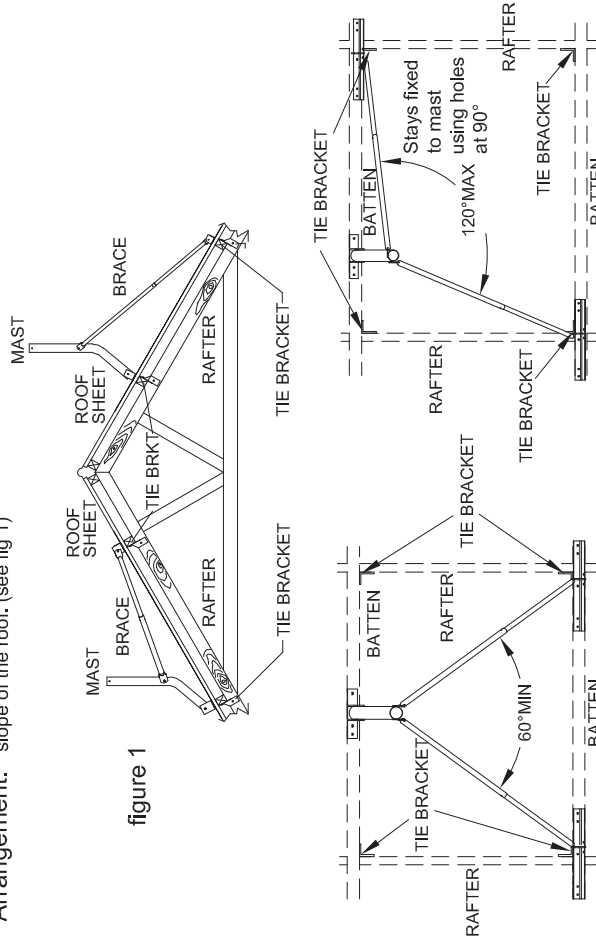


figure 2

figure 3

For 1.2m dishes in W60 wind classifications, the included angle between the stays is to be 90°. Maximum stay extension (measured at the bolt centres) is to be 1350mm.

Circled numbers refer to Parts List on page 4

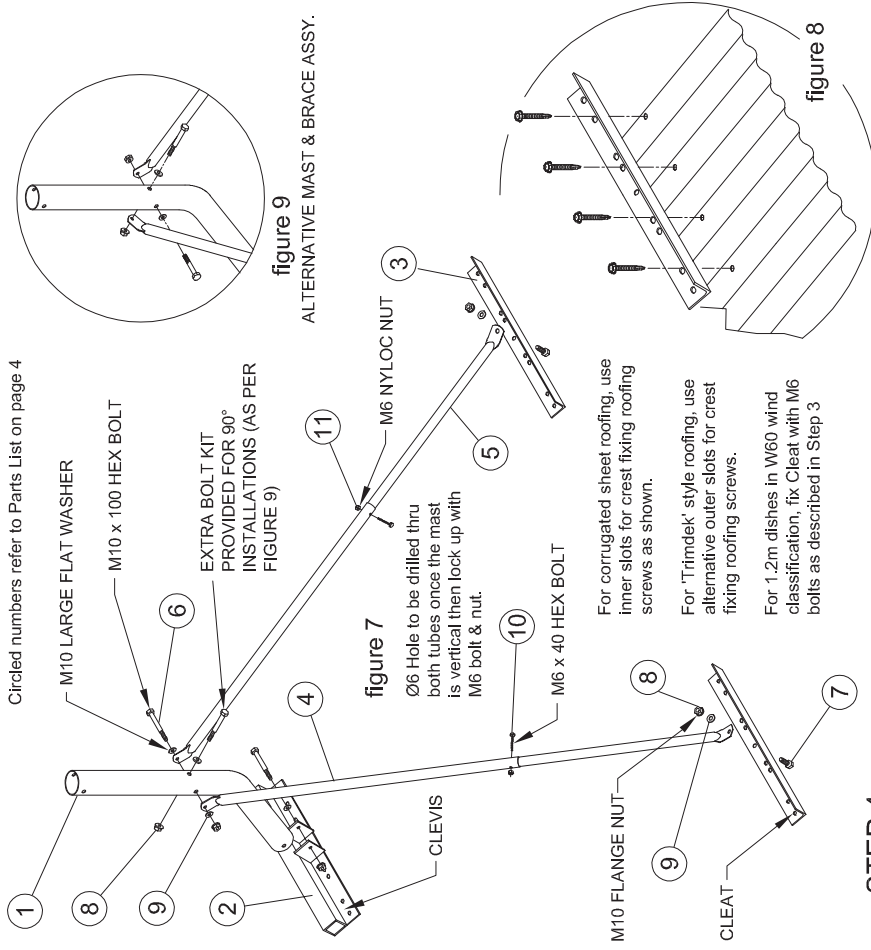


figure 7

figure 8

ALTERNATIVE MAST & BRACE ASSY.

STEP 4: Assemble mast to Clevis bracket (see fig 7).

STEP 5: Affix 2 cleat brackets to roof (see fig 8).
Drill the holes in the roof cladding to suit the mounting screws or bolts and assemble the cleat bracket ensuring to place the M10x30 bolt thru the Ø10 hole before affixing to roof (see figs 7 & 8). Take particular care to liberally apply sealant to the screw/bolt holes under the cleat brackets. For assembling the 90° brace as shown in figure 3, see figure 9.

STEP 6: Set the mast vertically with the longer end of the mast tube upwards, and assemble the larger diameter braces to the highest point on the mast. Extend the braces to the appropriate position. Assemble the brace and fasten to the cleat bracket as per figure 7. Ensure that the drain holes in the braces are not blocked by sealant.
Note: The angle of the flats on the ends of the braces can be adjusted to suit individual applications by simply bending with a shifting spanner. (see fig 10)



figure 10

STEP 7: Position mast so that it is plumb vertical and lock braces with M6 bolts as in figure 7. Check that all fasteners are secure and that sealant is visible under the Clevis bracket. The mast is now ready to receive the dish.

STEP 1: Enter the roof space and locate the area underneath the chosen mount site. Fasten a tie bracket between each rafter and batten (see fig 2, fig 3, & fig 4).

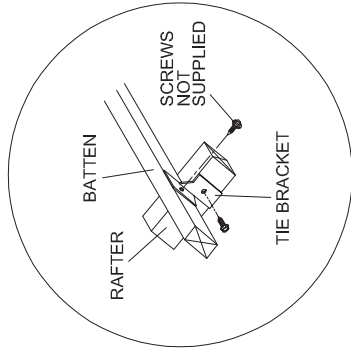


figure 4

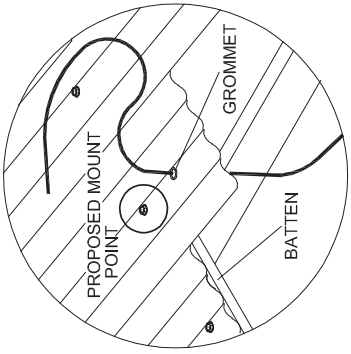


figure 5

STEP 2: To provide an entry for the coaxial cable, drill a Ø110 hole through the roof sheeting next to the batten which is to have the Mast Clevis bracket screwed to it. Moisten and insert the grommet supplied through the hole and feed the end of the coaxial cable through it. Push sufficient cable through to make connection with the LNB. Run cable as necessary inside the house (see fig 5).

STEP 3: On the exterior of the roof near the cable grommet, drill four screw holes or remove the existing screws from four suitable holes in the roof cladding to suit the Clevis and assemble as per figures 6 & 11. Take particular care to liberally apply sealant to the screw holes under the Clevis bracket. If cyclone washers are used under the roof screws, do not replace them under the Clevis bracket. Fixing screws are not provided, recommended screws = Buildex Type 14-10 x 75mm.

For 1.2m dishes in W60 wind classifications, the Clevis bracket must be fixed to the purlin or batten with M6 bolts as shown in figure 11. Extra large series washers, 30Ø x 1.6, are required between the nut and the timber. Entry to the roof space is necessary to tighten the nuts

NOTE: The mounting screws or bolts should only be tightened until bracket is firmly against the top of the corrugation. Do not over tighten or the corrugation may be distorted.

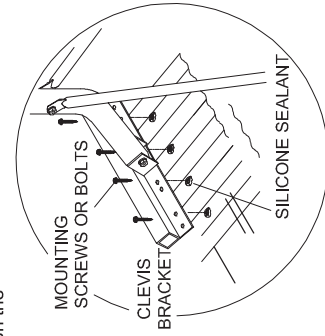


figure 6

MOUNT KIT PARTS LIST		
ITEM N°	DESCRIPTION	QTY
1	MAST	1
2	CLEVIS BRACKET	1
3	CLEAT BRACKET	2
4	OUTER BRACE	2
5	INNER BRACE	2
6	M10x100 HEX HEAD BOLT ZP	3
7	M10x30 HEX HEAD BOLT ZP	2
8	M10 FLANGE NUT ZP	5
9	M10 LARGE FLAT WASHER	5
10	M6x40 HEX HEAD BOLT ZP	2
11	M6 NYLOC NUT ZP	2
12	RH & LH TIE BRACKET	4
13	RUBBER CABLE GROMMET	1
14	METAL ROOF INSTRUCTION SHEET	1

Bracket and Screw arrangement for fastening to sheet metal roofs:

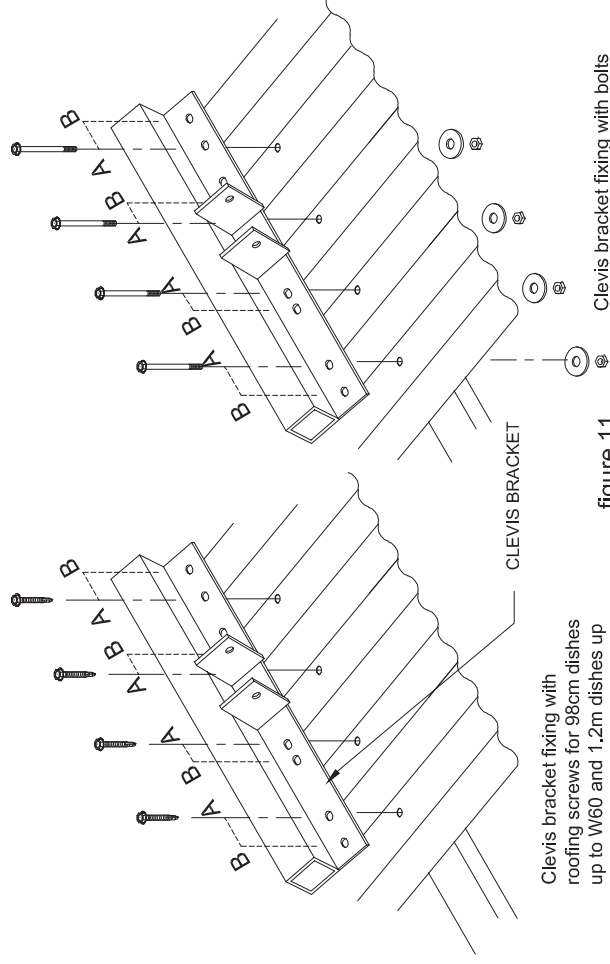


figure 11

A. For standard corrugated sheet metal roofing...use inner slots for crest fixing roofing screws or bolts.
B. For 'Trimdek' roofing... use alternative outer slots for crest fixing roofing screws or bolts.