

Hills

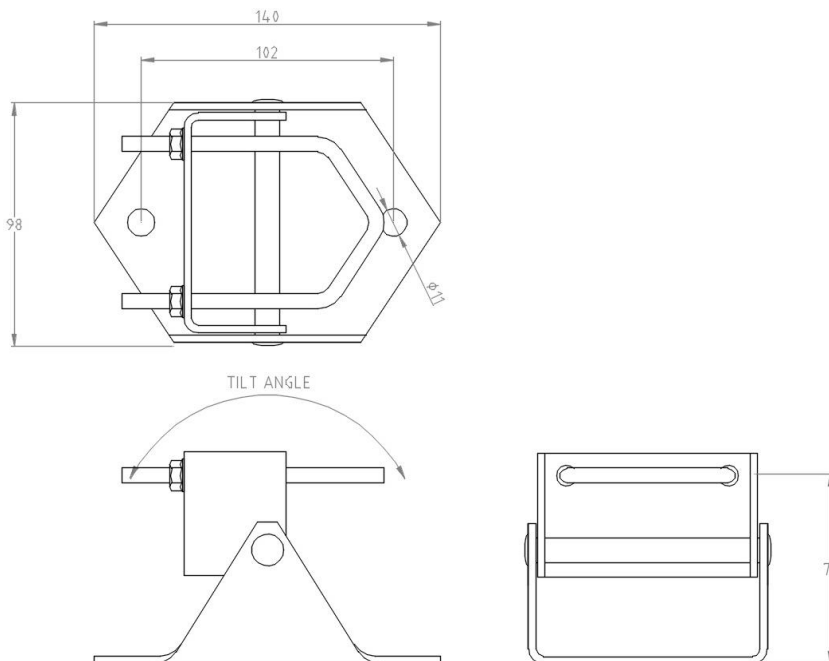
FB602498

Telomast Foot Mount



The Hills FB602498 Telomast Foot Mount is for use with a guyed mast or Hills Telomast. It can be installed on pitched roofs or sloping concrete slabs.

The angle of the mount can be swivelled and adjusted. This ensures the mast is in an upright position on a roof that is sloped but has no apex, allowing it to be guyed accordingly.



Features

- All steel material used.
- Zinc Plated for corrosion protection.
- Included with U-Bolt and nuts for mast clamping.
- Not included with mounting plane fasteners