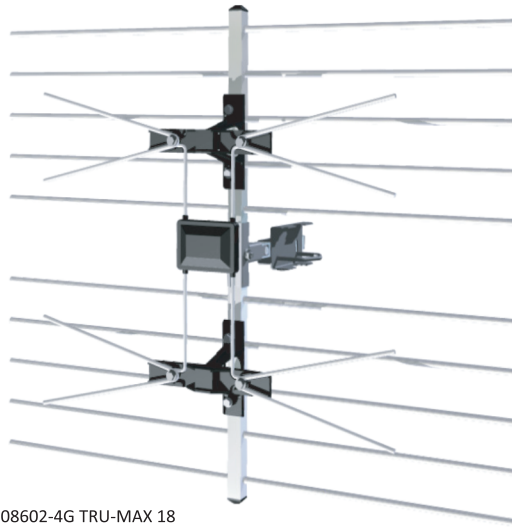


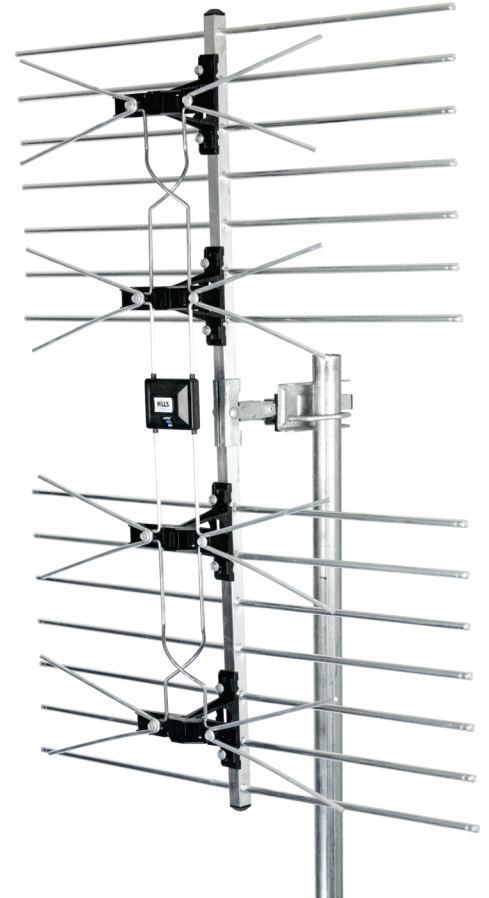
# TRU-MAX Antenna Range

FB608601-4G TRU-MAX 36

FB608602-4G TRU-MAX 18



FB608602-4G TRU-MAX 18



FB608601-4G TRU-MAX 36

The Tru-MAX antenna range is a digital only replacement to the UMX Analogue and Digital antenna.

Hills understands the potential for 4G/LTE interference with the range of Tru-MAX antenna's in certain installation areas and conditions. Supporting our products, Hills are introducing with the TRU-MAX range integrated 4G filtering allowing our customers the best performing installation and system possible, regardless of location or 4G proximity.

## Key features

- Band 4+ UHF operation
- Channels 28 – 51
- Back Screen utilises Patented Boom-Lock Manufacturing Technology
- Integrated 4G filtering
- Ultrasonically sealed balun for maximum reliability
- Strong robust mechanical construction
- Lightweight and compact
- Aluminum materials for superior corrosion resistance
- Designed and made in Australia



**HILLS**<sup>™</sup>  
**Antenna**

[www.hillsantenna.com.au](http://www.hillsantenna.com.au)

# Product Feature

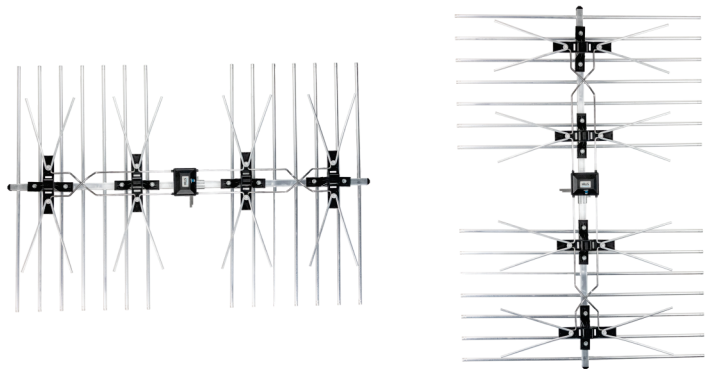
Careful attention has been paid with the mechanical design to ensure the phase bars are locked to the dipoles with a metal to metal joint, ensuring a positive RF connection that will not deteriorate over time due to plastic creep.

## 4G Customer Benefits:

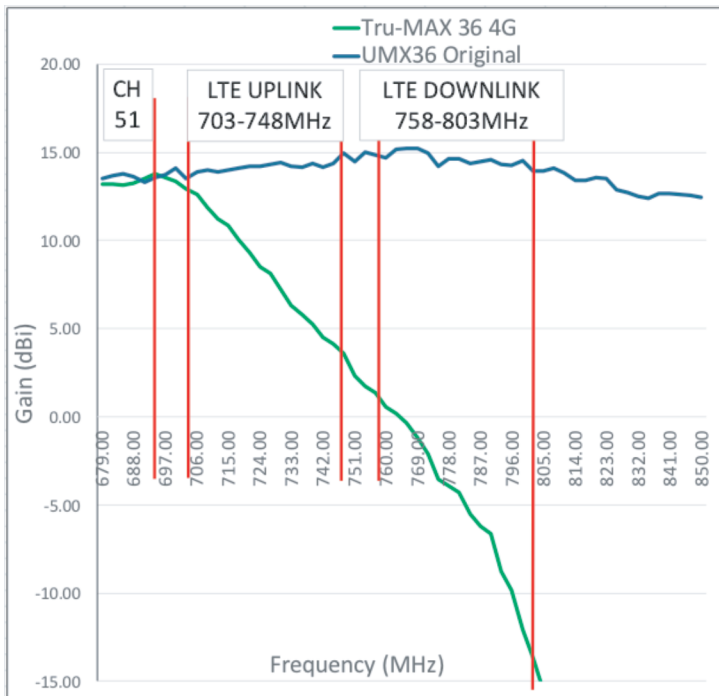
- To reject LTE/4G services that could cause interference with current Digital TV broadcasts
- With an integrated product it eliminates the need to purchase a separate in-line filter

## Mounting Options

The TRU-MAX antenna's can be mounted in either Vertical or Horizontal Polarisation mode to suit your unique signal area.



## 4G Rejection



Specifications		
Code	FB608601-4G	FB608602-4G
Product	Tru-MAX 36	Tru-MAX 18
Gain CH28-51	11.5-14dB	7.5-13.5dB
Front to Back	17-21dB	12-17dB

