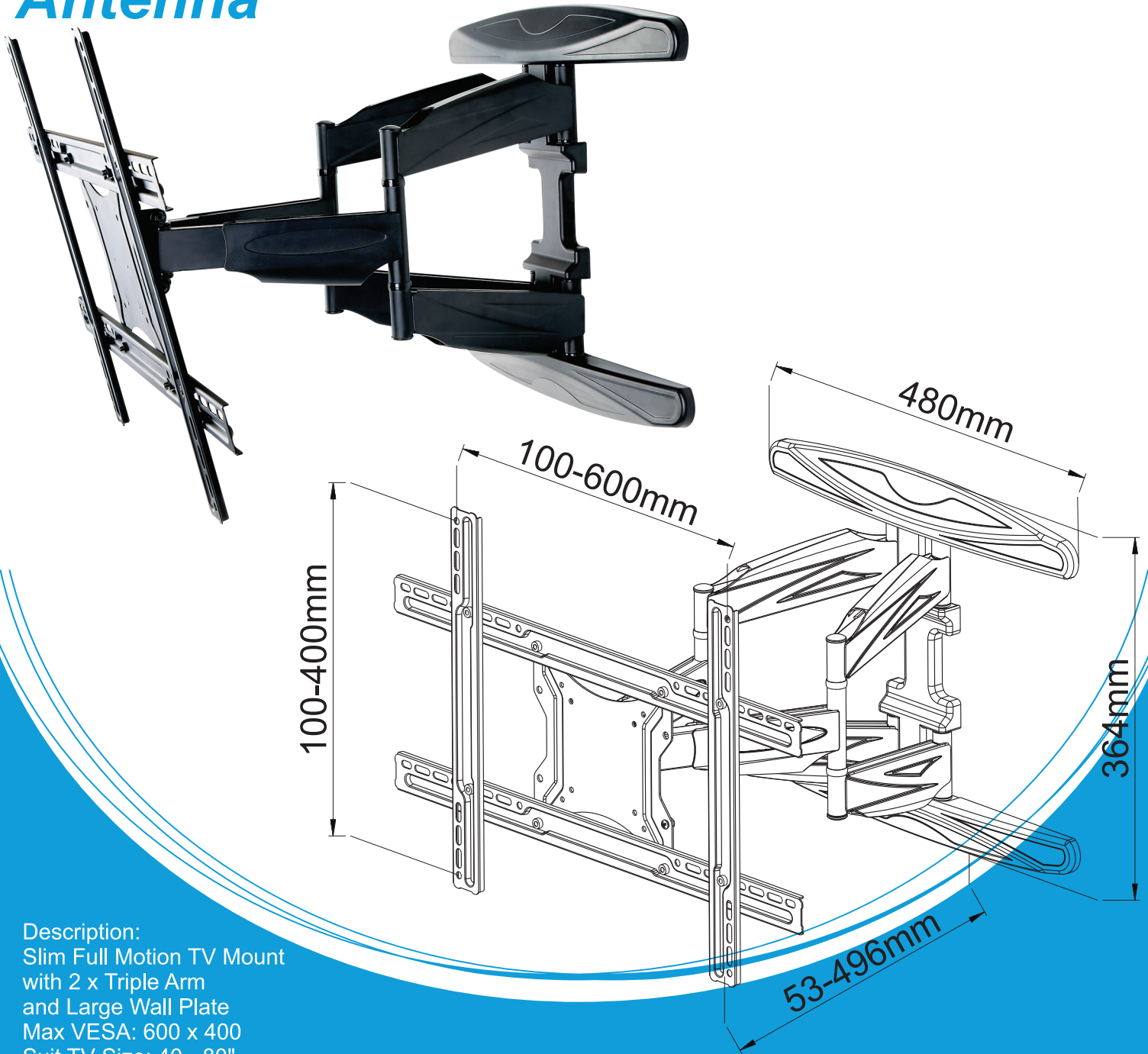


HILLS.TM Antenna

Model No: BC85125



Description:
Slim Full Motion TV Mount
with 2 x Triple Arm
and Large Wall Plate
Max VESA: 600 x 400
Suit TV Size: 40 - 80"
Capacity: 50kg
Profile: 53mm to 496mm
Tilt: +12° to -2°
Swivel: -90° to +90°
Wire Management: Yes
Hardware: Included
Material: Steel
Manual: Included
Finish: Powder Coating
Unit Weight: 8.25kg
Colour: Black

www.bitek.com.au

Available From

National Phone: 1300 601 915
Email: orders@bitek.com.au

Bitek Pty Ltd
11 Sheppard Street
Hume
ACT 2620
Ph: 02 6260 1874

Bitek (Syd) Pty Ltd
Unit 7, 463 Victoria Street
Wetherill Park
NSW 2164
Ph: 02 9659 2272

Bitek (Vic) Pty Ltd
22 Constance Court
Epping
VIC 3076
Ph: 03 9456 9222

Bitek (SA) Pty Ltd
1 Temple Court
Ottoway
SA 5013
Ph: 08 8395 4111