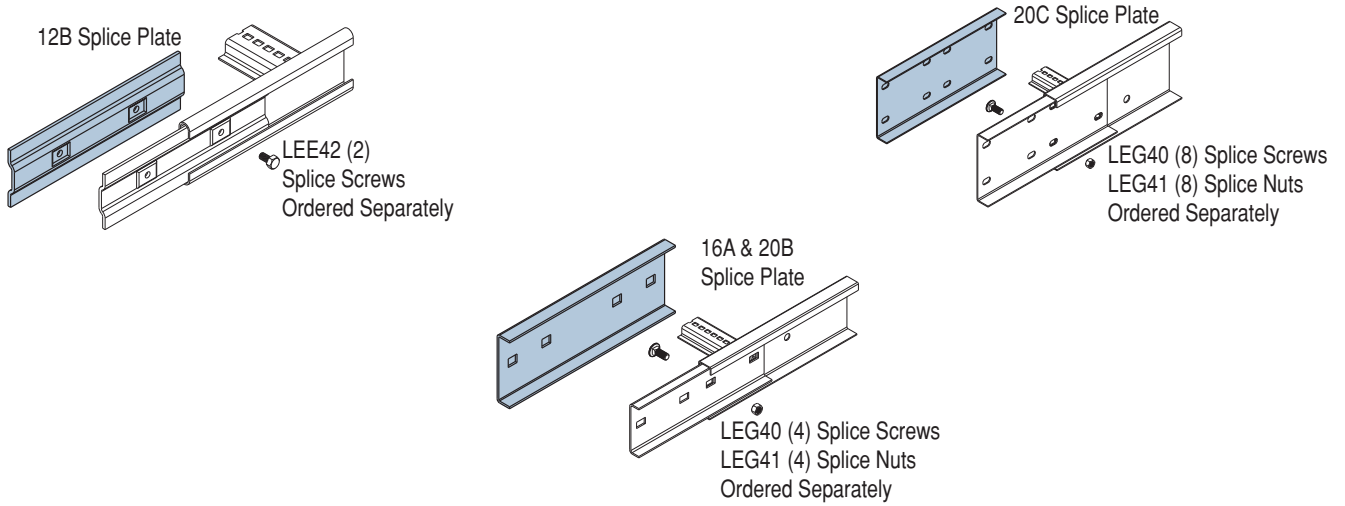


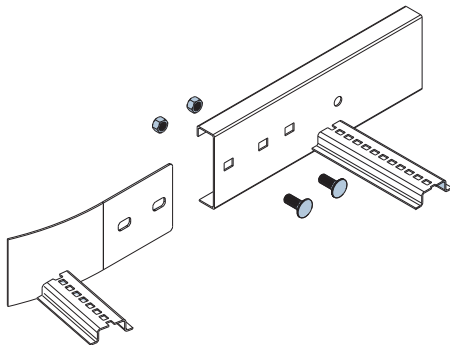
Splice Plate [HG]



Type	Part No.
12B	LEE30
16A	LEG30
20B	LEK30
20C	LEL30

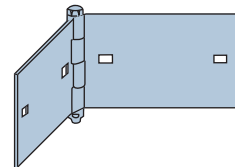
The neat fitting flanges and bolted configuration of Unistrut splice plates also reduces deflection at joints as the ladder is loaded. Unsightly dips or discontinuities along the ladder run are therefore avoided. Bolt holes in splice plates and ladder side-rails are elongated so that site misalignments as well as thermal expansion and contraction are catered for.

Fastener Quantities for Accessories



Steel Cable Ladder Accessories			
12B	Splice Screw (HG)	LEE42	4 per Bend, Riser or Reducer 6 per Tee 8 per Cross
16A, 16A-RI, 20B, 20B-RI	Splice Screw (HG) Splice Nut (HG)	LEG40 LEG41	8 per Bend, Riser or Reducer 12 per Tee 16 per Cross
20C, 20C-RI	Splice Screw (HG) Splice Nut (HG)	LEG40 LEG41	16 per Bend, Riser or Reducer 24 per Tee 32 per Cross

Hinged Horizontal Splice Plate [HG]



Type	Part No.
12B	LEE35
16A	LEG35
20B	LEK35
20C	LEL35

A fast and economical method of changing ladder direction where exact site dimensions must be met. Especially suitable where the angle is less than 45°, or larger angles where the cable bending radius is not important. Also provides a flexible alternative to standard accessory sizes and radii. Suits all Unistrut steel cable ladder systems.

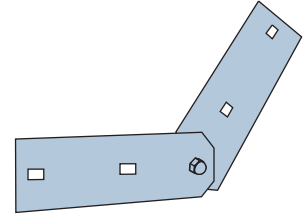
• Fixing Hardware for all cable ladder systems must be ordered separately.

NEMA STEEL CABLE LADDER ACCESSORIES

Hinged Vertical Splice Plate [HG]

Ideal for making changes in vertical level or direction. Easily adapts to exact site dimensions which may otherwise be difficult to achieve with fixed risers. Cables form their own bending radius spanning between adjacent end-rungs. Also used to form adjustable risers providing flexibility to adjust to any site restrictions.

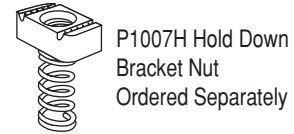
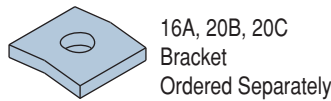
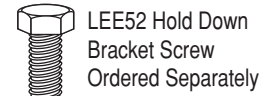
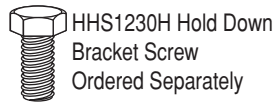
Type	Part No.
12B	LEE36
16A	LEG36
20B	LEK36
20C	LEL36



Hold Down Brackets [HG]

Hold Down Brackets provide rigid clamping for all steel cable ladder systems. The Brackets can be positioned at any point along the ladder length.

Type	Part No.
12B	LEE50
16A	LEG50
20B	LEG50
20C	LEG50



Divider Strip [GB/HG]

Used to separate cables of different voltages or circuits. The notched base permits forming to the required shape. Fix at 1m centres.

Type	Part No.	Height "H"
12B	LEE55	37mm
16A	LEM55	70mm
20B	LEM55	70mm
20C	LEM55	70mm

