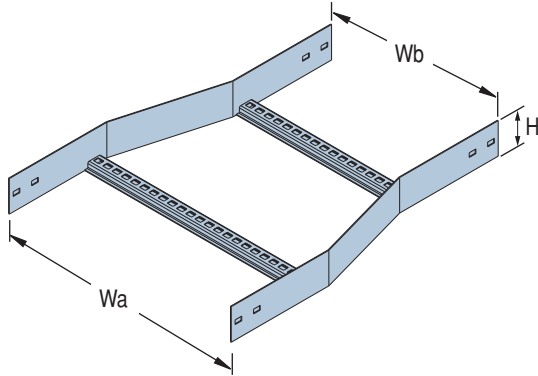


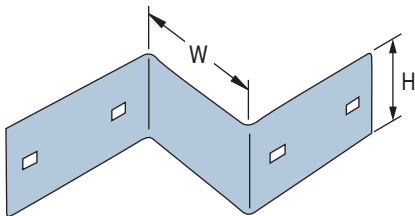
NEMA STEEL CABLE LADDER REDUCERS

Straight Reducer [HG]



Type	Width "Wa"	Width "Wb"	Height "H"	Part No.
12B	600	450	60	LEE1564
12B	600	300	60	LEE1563
12B	600	150	60	LEE1561
12B	450	300	60	LEE1543
12B	450	150	60	LEE1541
12B	300	150	60	LEE1531
16A	600	450	84	LEG1564
16A	600	300	84	LEG1563
16A	600	150	84	LEG1561
16A	450	300	84	LEG1543
16A	450	150	84	LEG1541
16A	300	150	84	LEG1531
20B	600	450	119	LEK1564
20B	600	300	119	LEK1563
20B	600	150	119	LEK1561
20B	450	300	119	LEK1543
20B	450	150	119	LEK1541
20B	300	150	119	LEK1531
20C	600	450	135	LEL1564
20C	600	300	135	LEL1563
20C	600	150	135	LEL1561
20C	450	300	135	LEL1543
20C	450	150	135	LEL1541
20C	300	150	135	LEL1531

Reducer Splice [HG]



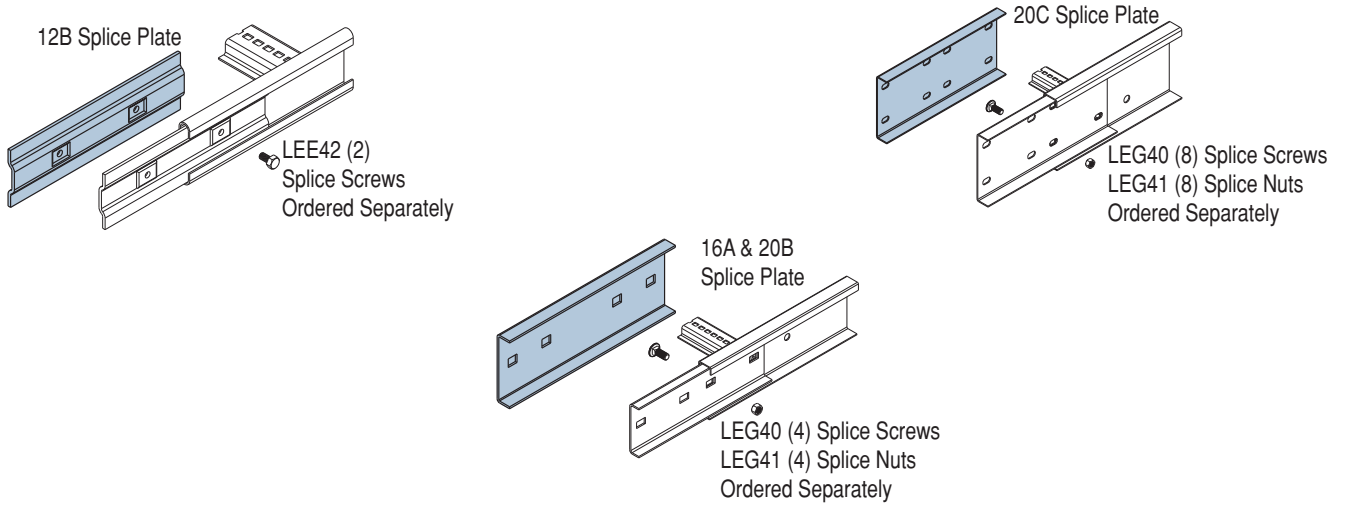
Reduction of ladder width is normally carried out using straight or offset reducers. Reducer Splice Plates are a flexible, cost effective alternative which bolt directly to the ladder side-rails.

Available for all steel cable ladder systems.

Type	Width "W"	Height "H"	Part No.
12B	75	60	LEE380
12B	150	60	LEE381
12B	300	60	LEE383
12B	450	60	LEE384
16A	75	84	LEG380
16A	150	84	LEG381
16A	300	84	LEG383
16A	450	84	LEG384
20B	75	119	LEK380
20B	150	119	LEK381
20B	300	119	LEK383
20B	450	119	LEK384
20C	75	135	LEL380
20C	150	135	LEL381
20C	300	135	LEL383
20C	450	135	LEL384

• Fixing Hardware for all cable ladder systems must be ordered separately.

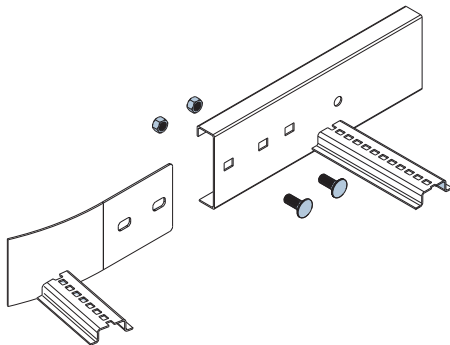
Splice Plate [HG]



Type	Part No.
12B	LEE30
16A	LEG30
20B	LEK30
20C	LEL30

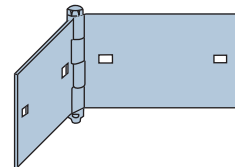
The neat fitting flanges and bolted configuration of Unistrut splice plates also reduces deflection at joints as the ladder is loaded. Unsightly dips or discontinuities along the ladder run are therefore avoided. Bolt holes in splice plates and ladder side-rails are elongated so that site misalignments as well as thermal expansion and contraction are catered for.

Fastener Quantities for Accessories



Steel Cable Ladder Accessories			
Type	Part No.	Quantity	Application
12B	Splice Screw (HG) LEE42	4	per Bend, Riser or Reducer
		6	per Tee
		8	per Cross
16A, 16A-RI, 20B, 20B-RI	Splice Screw (HG) Splice Nut (HG) LEG40 LEG41	8	per Bend, Riser or Reducer
		12	per Tee
		16	per Cross
20C, 20C-RI	Splice Screw (HG) Splice Nut (HG) LEG40 LEG41	16	per Bend, Riser or Reducer
		24	per Tee
		32	per Cross

Hinged Horizontal Splice Plate [HG]



A fast and economical method of changing ladder direction where exact site dimensions must be met. Especially suitable where the angle is less than 45°, or larger angles where the cable bending radius is not important. Also provides a flexible alternative to standard accessory sizes and radii. Suits all Unistrut steel cable ladder systems.

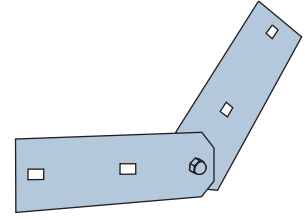
• Fixing Hardware for all cable ladder systems must be ordered separately.

NEMA STEEL CABLE LADDER ACCESSORIES

Hinged Vertical Splice Plate [HG]

Ideal for making changes in vertical level or direction. Easily adapts to exact site dimensions which may otherwise be difficult to achieve with fixed risers. Cables form their own bending radius spanning between adjacent end-rungs. Also used to form adjustable risers providing flexibility to adjust to any site restrictions.

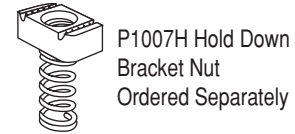
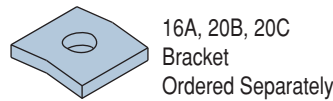
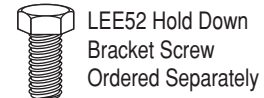
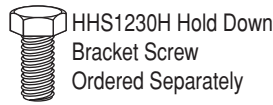
Type	Part No.
12B	LEE36
16A	LEG36
20B	LEK36
20C	LEL36



Hold Down Brackets [HG]

Hold Down Brackets provide rigid clamping for all steel cable ladder systems. The Brackets can be positioned at any point along the ladder length.

Type	Part No.
12B	LEE50
16A	LEG50
20B	LEG50
20C	LEG50



Divider Strip [GB/HG]

Used to separate cables of different voltages or circuits. The notched base permits forming to the required shape. Fix at 1m centres.

Type	Part No.	Height "H"
12B	LEE55	37mm
16A	LEM55	70mm
20B	LEM55	70mm
20C	LEM55	70mm

