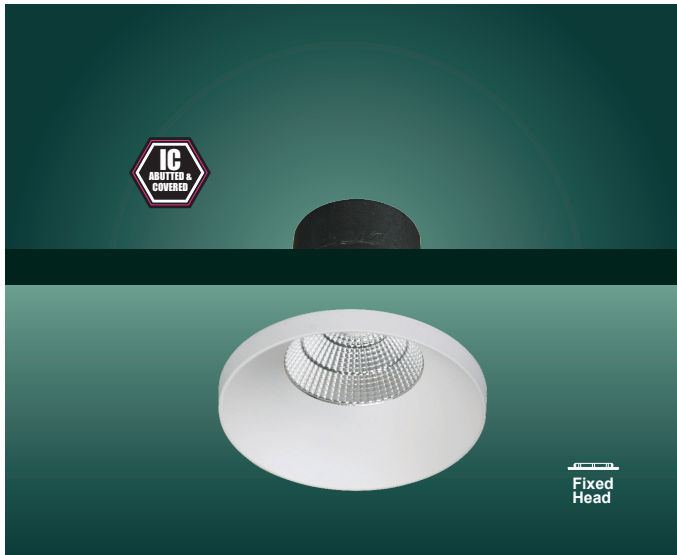


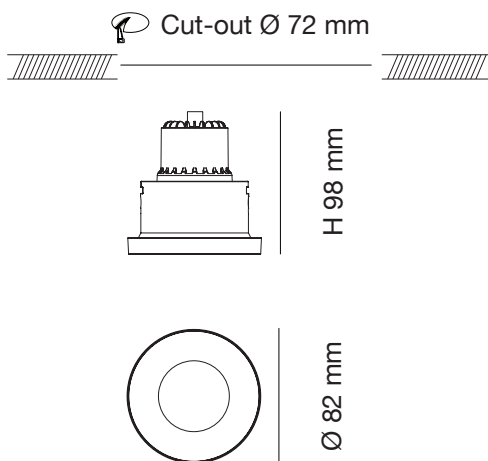


S9006

UNIFIT DIMMABLE LED DOWNLIGHT



DIMENSIONS



FEATURES

- Unifit fitting assembly with S9053 LED module
 - Die-cast aluminium heat sink and casing
 - Powder coated finish
 - High efficiency COB LED chip
 - Changeable multi-reflector system
 - Standard beam angle 60°
 - Polycarbonate optical lens
 - Trailing edge dimmable LED driver included
 - 1.2 m flex & plug fitted
 - IP20 indoor use only
- **COLOUR TEMPERATURE**
3000K WARM WHITE
6000K DAYLIGHT
 - **FITTING COLOUR**
Matt White

DIMMING OPTIONS

- 1-10V dimming
- Digital dimming (DSI, DALI)

BEAM ANGLE OPTIONS

- S9053R25 - 25° optical reflector
- S9053R40 - 40° optical reflector

OPTIONS

ACCESSORIES:

- S9053HC - Honeycomb
- S9053DF - Centre frost diffuser
- S9053BF - Buffer

 Honeycomb
 S9053HC

 Centre frost diffuser
 S9053DF

 Buffer
 S9053BF


TECHNICAL SPECIFICATIONS & DIMENSIONS

Model No.	Input Voltage	Power	Luminous Flux	Beam Angle	Colour Temp	CRI (Ra)	Dimmable	Dimensions Ø x H	Cut Out Ø	Fitting Colour
S9006WW	240V-50Hz	9W	700lm	60°	3000K	>82	Yes	82 x 98 mm	72 mm	Matt White
S9006DL	240V-50Hz	9W	800lm	60°	6000K	>80	Yes	82 x 98 mm	72 mm	Matt White