

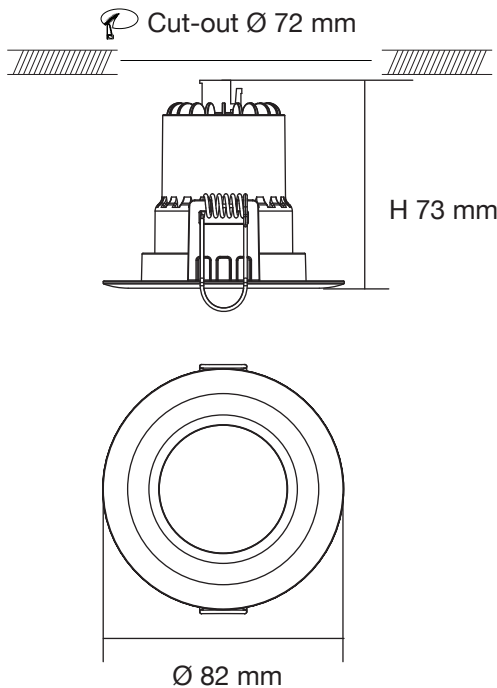


S9145WW/WH

ECOSTAR II



DIMENSIONS



FEATURES

- Fixed head downlight fitting assembled with S9053 LED module
- Die-cast aluminium body
- Powder coated finish
- High efficiency COB LED chip
- Changeable multi-reflector system
- Standard beam angle 60°
- Polycarbonate optical lens
- Trailing edge dimmable LED driver included
- 1.2 m flex & plug fitted
- IP20 indoor use only

- COLOUR TEMPERATURE
3000K WARM WHITE

- FITTING COLOUR
White

OPTIONS

DIMMING OPTIONS

- 1-10V dimming
- Digital dimming (DSI, DALI)

BEAM ANGLE OPTIONS

- 25° - S9053R25
- 40° - S9053R40

COLOUR TEMPERATURE OPTION

- 6000K DAYLIGHT

TECHNICAL SPECIFICATIONS

Model No.	Input Voltage	Power	Luminous Flux	Beam Angle	Colour Temp	CRI (Ra)	Dimmable	Dimensions Ø x H	Cut Out Ø	Fitting Colour
S9145WW/WH	240V-50Hz	9W	700lm	60°	3000K	>80	Yes	82 x 73 mm	72 mm	White