



HENDRICK LED WALL LIGHT

Model No. :	22545/06	22546/06	22547/06
Colour :	Black	Black	Black
Size :	60cm	120cm	180cm

Congratulation on the purchase of your new Brilliant product. Before first using, it is most important that you read and follow these instructions, even if you feel you are quite familiar with this type of product. Keep this document handy for future reference.

THIS FITTING MUST BE INSTALLED BY A QUALIFIED ELECTRICAL CONTRACTOR in accordance with the latest AS/NZS 3000 and relevant amendments

FOR YOUR SAFETY

- To prevent electrical shock, please ensure that POWER is DISCONNECTED before installation.
- During use the light head and/or light assembly may become hot.
- Do not install in a position where the fitting can be easily accessed by children or the infirm.
- Do not touch any parts of the assembly with bare hands while it is 'ON'.
- Be aware of the height of your installation. Refer to '**Working at Heights**' guide from your local or State Authorities.
- Any alterations or additions to building wiring **must be completed by a licensed electrician** or person authorised by legislation to work on the fixed wiring of any electrical installation.

SPECIFICATIONS

	22545/06	22546/06	22547/06
Voltage	220~240V AC 50Hz	220~240V AC 50Hz	220~240V AC 50Hz
Watts	15W Max	22W Max	36W Max
Dimensions	600mm x 80mm x 38mm	1200mm x 80mm x 38mm	1800mm x 80mm x 38mm
IP Rating	IP65	IP65	IP65
Weight	1.24kg	2.64kg	4.21kg
Material	Rigid metal housing, Durable matt black powder coating finish, Laser cut high light transmission Acrylic diffuser.	Rigid metal housing, Durable matt black powder coating finish, Laser cut high light transmission Acrylic diffuser.	Rigid metal housing, Durable matt black powder coating finish, Laser cut high light transmission Acrylic diffuser.
Accessories	8 x Screws 2 x hanging brackets 4 x Wall plugs	12 x Screws 3 x hanging brackets 6 x Wall plugs	12 x Screws 3 x hanging brackets 6 x Wall plugs



HENDRICK LED WALL LIGHT

Model No. :	22545/06	22546/06	22547/06
Colour :	Black	Black	Black
Size :	60cm	120cm	180cm

THIS FITTING MUST BE INSTALLED BY A QUALIFIED ELECTRICAL CONTRACTOR in accordance with the latest AS/NZS 3000 and relevant amendments

BEFORE YOU START

- Please read this instruction carefully.
- Check the packaging and make sure you have all the required parts.
- Familiarise yourself with all the parts before assembly.
- Follow each installations steps to prevent incorrect assembly and installation.
- Ensure the wall light is fully assembled as illustrated before use.

INSTALLATION

1. Ensure the power is switched off. (Fig 1)
2. Use the mounting template to drill two holes per wall bracket on the wall and knock in the wall plugs. (Fig 2)
3. Fix the base to the hang bracket to the wall with the provided screws. (Fig 3)
4. Connect live, neutral and earth connections to the tail cable.
5. Ensure the orientation of the light fitting is correct. Hole needs to be on bottom of light fitting to ensure water can drain out of light fitting.(Fig 4)
6. Fix the lamp to the hanging bracket with the screws provided. (Fig 5)
7. Check and confirm correct installation and reconnect power to complete the installation. (Fig 6)

Fig 1.

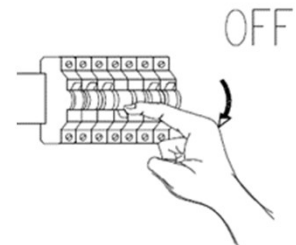


Fig 2.

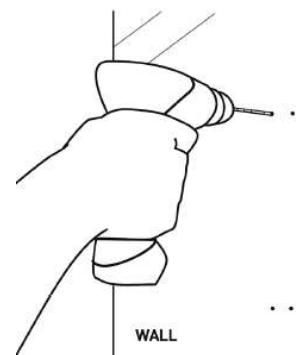


Fig 3.

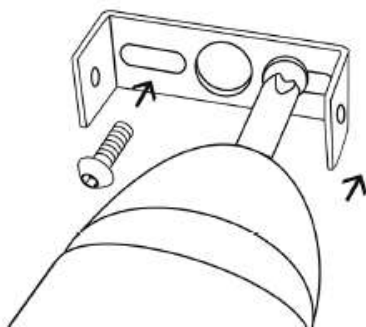
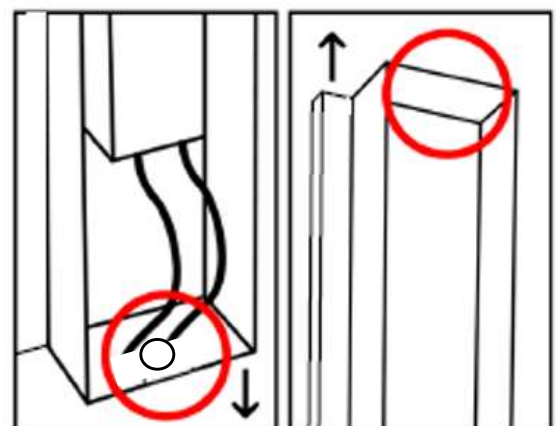


Fig 4.





HENDRICK LED WALL LIGHT

Model No. :	22545/06	22546/06	22547/06
Colour :	Black	Black	Black
Size :	60cm	120cm	180cm

THIS FITTING MUST BE INSTALLED BY A QUALIFIED ELECTRICAL CONTRACTOR in accordance with the latest AS/NZS 3000 and relevant amendments

INSTALATION

Fig 5.

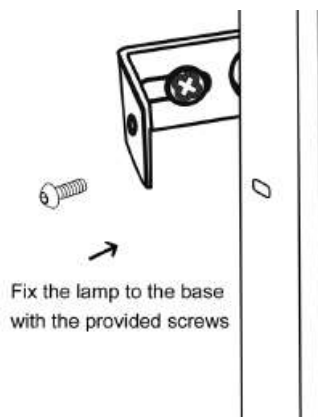
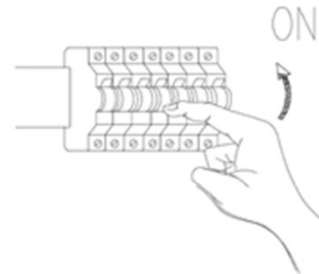


Fig 6.



CLEANING AND MAINTENANCE

- Use a dry or slightly dampened cloth (use clean water and do not use solvent) to wipe the outside surface of the light fixture
- To clean the inside of the light fixture you need to turn off the power. Use a dry or slightly dampened cloth to wipe the interior surface of the light fixture.
- Do not use chemicals or abrasive cleaning solutions.



HENDRICK LED WALL LIGHT

Model No. :	22545/06	22546/06	22547/06
Colour :	Black	Black	Black
Size :	60cm	120cm	180cm

THIS FITTING MUST BE INSTALLED BY A QUALIFIED ELECTRICAL CONTRACTOR in accordance with the latest AS/NZS 3000 and relevant amendments

Warranty:

Brilliant Lighting warrants this product against defects in manufacture and workmanship for a period of 3 years from date of purchase or as specified elsewhere. For products used in non-domestic or commercial applications, Brilliant Lighting warrants this product for a period of 3 months from date of purchase. This warranty is only valid for products installed and operated within the guidelines specified by Brilliant Lighting, and within the correct operating voltage ranges as stated on the product's rating label.

Warranty does not include damage or loss arising from incorrect installation, operation or maintenance of this product, damage caused through modification, incorrect installation, service by unqualified or unauthorised personnel or lack of regular maintenance and cleaning. Proof of installation by qualified personnel may be required, e.g. Electrical Safety Certificate. Proof of purchase must be supplied with all warranty claims.

This warranty is provided in addition to any other rights and remedies of the customer under any law. In applications not intended for household, personal or domestic use, liability is limited to replacement or reimbursement of product only. Brilliant Lighting does not warranty the costs of removal or re-installation of this product or associated components.

Our goods come with guarantees that cannot be excluded under the Australian Consumer Law. You are entitled to a replacement or refund for a major failure and compensation for any other reasonably foreseeable loss or damage. You are also entitled to have the goods repaired or replaced if goods fail to be of acceptable quality and the failure does not amount to a major failure.

Any claim under this warranty must be made within the specified warranty period from date of purchase of this product. To make a claim under the warranty; at your own expense take the product (with proof of purchase – receipt or similar) to the store where you purchased the product or contact Brilliant Lighting at the address below.

This warranty is given by:

Brilliant Lighting (Aust) Pty. Ltd.
ABN 37 006 203 694
956 Stud Road Rowville, VIC 3178
Phone: 03 9765 2555
Email: Warranty@brilliantlighting.com.au
MADE IN CHINA