

LED CABINET & WALL LIGHTS



www.sal.net.au

LED WALL LIGHT S9316, S9317 DARHAM

CONSTRUCTION

- Premier aluminium body
- Powder coated finish (White)
- Aluminium reflector
- Opal acrylic diffuser with front glass cover
- High efficiency SMD LED chips
- 12V AC or DC driver required

IP RATING

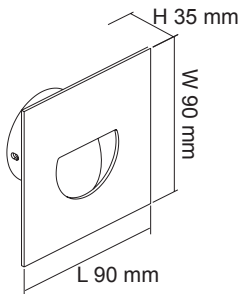
- IP20 suitable for indoor use only

SUITABLE DRIVERS

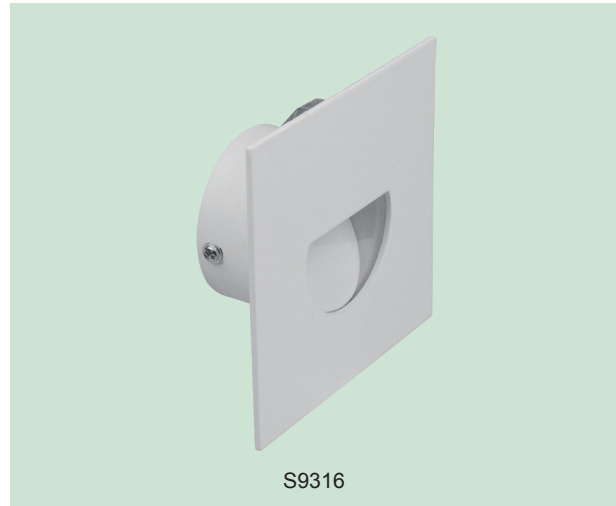
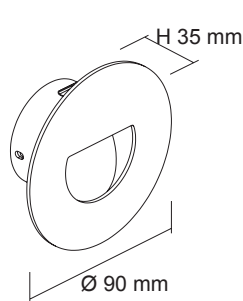
- PLUTO EGL12V/6W
- PLUTO EGL12V/15W
- PLUTO 30W/12V, PLUTO 50W/12V,
- PLUTO 100W/12V, PLUTO 200W/12V

DIMENSIONS

S9316  Ø 60 mm



S9317  Ø 60 mm

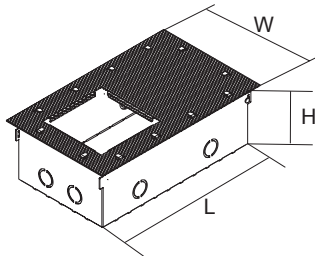


S9316



S9317

OPTIONAL ACCESSORIES FOR S9316 & S9318 ONLY



PRE-INSTALL BOX (S9316/8 BOX)

- L x W x H: 218 x 133 x 74 mm

Model No.	Input	Power	Lumen	CCT	CRI	Installation Type	Fitting Colour
S9316 WH	12V	1.5W	110lm	3000K	>80	Recessed	White
S9316 ALU	12V	1.5W	110lm	3000K	>80	Recessed	Anodized Silver
S9317 WH	12V	1.5W	110lm	3000K	>80	Recessed	White
S9317 ALU	12V	1.5W	110lm	3000K	>80	Recessed	Anodized Silver