



CLARE S9062TC/S - 10W

Recessed LED downlight with sensor control and selectable colour temperature.

Application

Ideal for interior service areas, bathrooms and storage spaces

Design Specifications

- Selectable colour temperature with an integral DIP switch 3000K / 4000K / 5700K
- Integral PIR sensor control with a fixed 30 second ON motion detection function.
- Integral non-dimmable LED 10 watt control gear, IC - 4 rated.
- Designed with flex and plug for easy installation
- Stylish white trim and opal polycarbonate diffuser
- Cut - out 92mm

Performance

In Built Sensor - **YES**
Sensor Type - **PIR**



Technical Specification

Model No.	Description	Input Voltage (V/AC)	Power (W)	Lumens (lm)	CCT (K)	Beam Angle (°)
S9062TC/S	LED D/L 10W PIR SENSOR	240	10	760/800/850	3000/4000/5700	90

Model No.	CRI	Body Colour	Dimensions (mm)
S9062TC/S	80	WHITE	115(W) x 73(H)

Due to continued product and technology enhancements, data sourced from sal.net.au shall not form part of any contract and or technical performance guarantee unless expressly confirmed in writing by SAL at the time of order. Products are sold in accordance with [SAL Terms and Conditions of sale](#) and all images shown are for illustration purposes only and may vary from the actual colour or finish. Unless specifically stated, all IP ratings nominated for Interior products are from "below the ceiling".

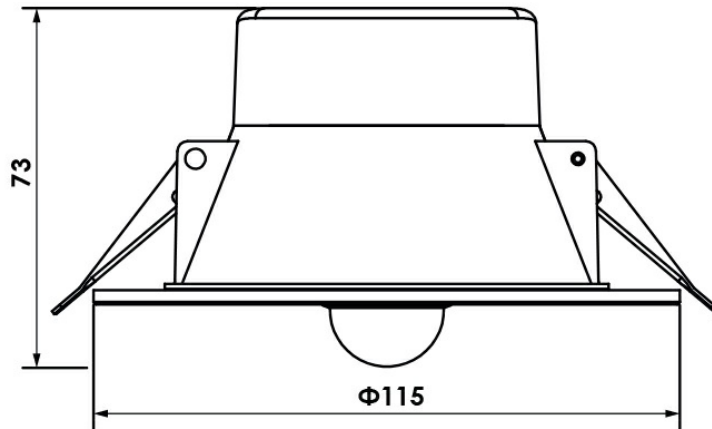
Dimensions

Model No.	Input (V)/(Hz)	Power (W)	Lumens (lm)	Line Current (A)	In-rush Current (A)	CRI	CCT (K)	Fitting Colour	Mass (N.W. kg)	Dimension D x H (mm)
S9062TC/S	240/50	10	760 / 800 / 850	0.06	14.1A Max. @ 466 µs	> 80	3000/4000/5700	White	0.2	Φ115 x H73

Power (W)	Input (V)/(Hz)	Detection Distance (m)	Detection Motion Speed (m/s)	Detection Angle	Working Humidity (RH)	Time Setting (S)	Light Control (lux)	Installation Height (m)	Sensor Type
10 (Idle 1W)	240/50	4m @ 25°C	0.5-1.5	120°	0-95%	* 30 ± 5	8-20	2.5	PIR

* It will turn off in 30 seconds if there is no motion detected.

S9062TC-S CUT - OUT 92mm



Product Images

