

Cat6 RJ-45 Keystone Jack. 180 degrees

FEATURES:

Category 6 UTP 180°keystone jacks are PC plastic package, suitable for different application environments, bandwidth of 250MHz, meet and exceed the international standard ISO / IEC 11801 and the ANSI/TIA-568-C.2 requirements. The 8 Pin insert has good flexibility and resistance. Comply with RoHS standards.

- Offers total solution of your local area networking
- Dual IDC connector can accept 23-26 AWG solid and stranded cables
- Support T568 A&B wiring & easy installation
- RoHS compliant
- Performance conforms to ANSI/TIA-568-C.2, ISO/IEC 11801 and EN50173-1 Category 6 specification

APPLICATION:

- 10Base-T/100Base-Tx
- 100Base-T4/1000Base-Tx
- ATM-25/ATM-51/ATM-155
- 100VG-AnyLan
- TR-4/TR-16 Active/TR16 Passive



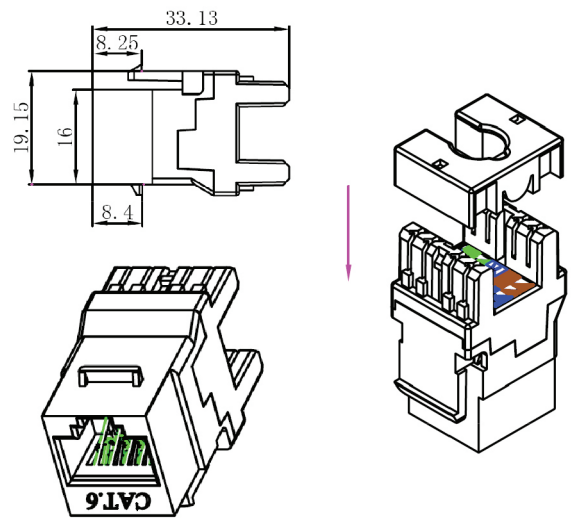
MODEL CODE	PACK SIZE	TYPE	COLOUR
JKC6BK	1 unit	Cat6	Black
JKC6BL	1 unit	Cat6	Blue
JKC6GN	1 unit	Cat6	Green
JKC6RD	1 unit	Cat6	Red
JKC6WH	1 unit	Cat6	White
JKC6YL	1 unit	Cat6	Yellow

APPLICATION

Dielectric Strength: 1000V RMS for 1min
 Insulation Resistance: 10 MΩ min
 Contact Resistance: 2 mΩ per contact
 Temperature Range: -10°C to 60°C max
 Humidity: 10%-65%

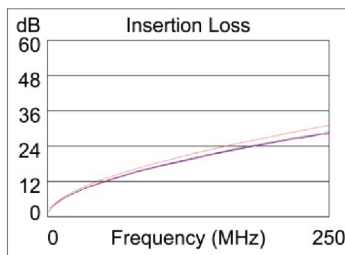
PHYSICAL SPECIFICATION

- High impact plastic housing, Flame retardant UL 94V-0
- IDC Contact : 100μ inch nickel plated over phosphor bronze
- IDC Operating life : Minimum 250 Re-terminations
- Jack Contact : Phosphor bronze, 50μ inch gold plating over nickel plating in contact area
- Jack Operating life : Minimum 750 insertions
- PCB : FR-4, 1.6mm thickness

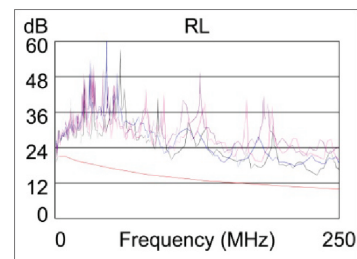
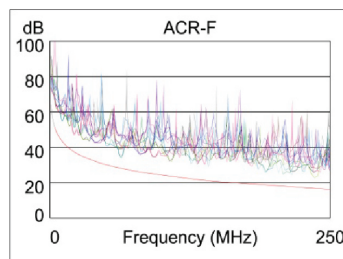
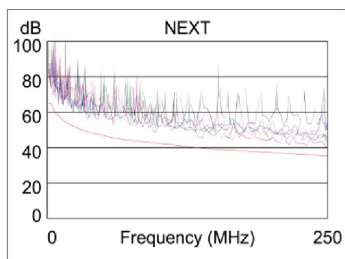


Unit:mm

Cat.6 UTP Perm. Link



Length (ft), Limit 295	[Pair 45]	292
Prop. Delay (ns), Limit 498		453
Delay Skew (ns), Limit 44		23
Resistance (ohms)	[Pair 78]	Open
Insertion Loss Margin (dB)	[Pair 12]	2.3
Frequency (MHz)	[Pair 12]	250.0
Limit (dB)	[Pair 12]	31.1



Permanent Link test method

